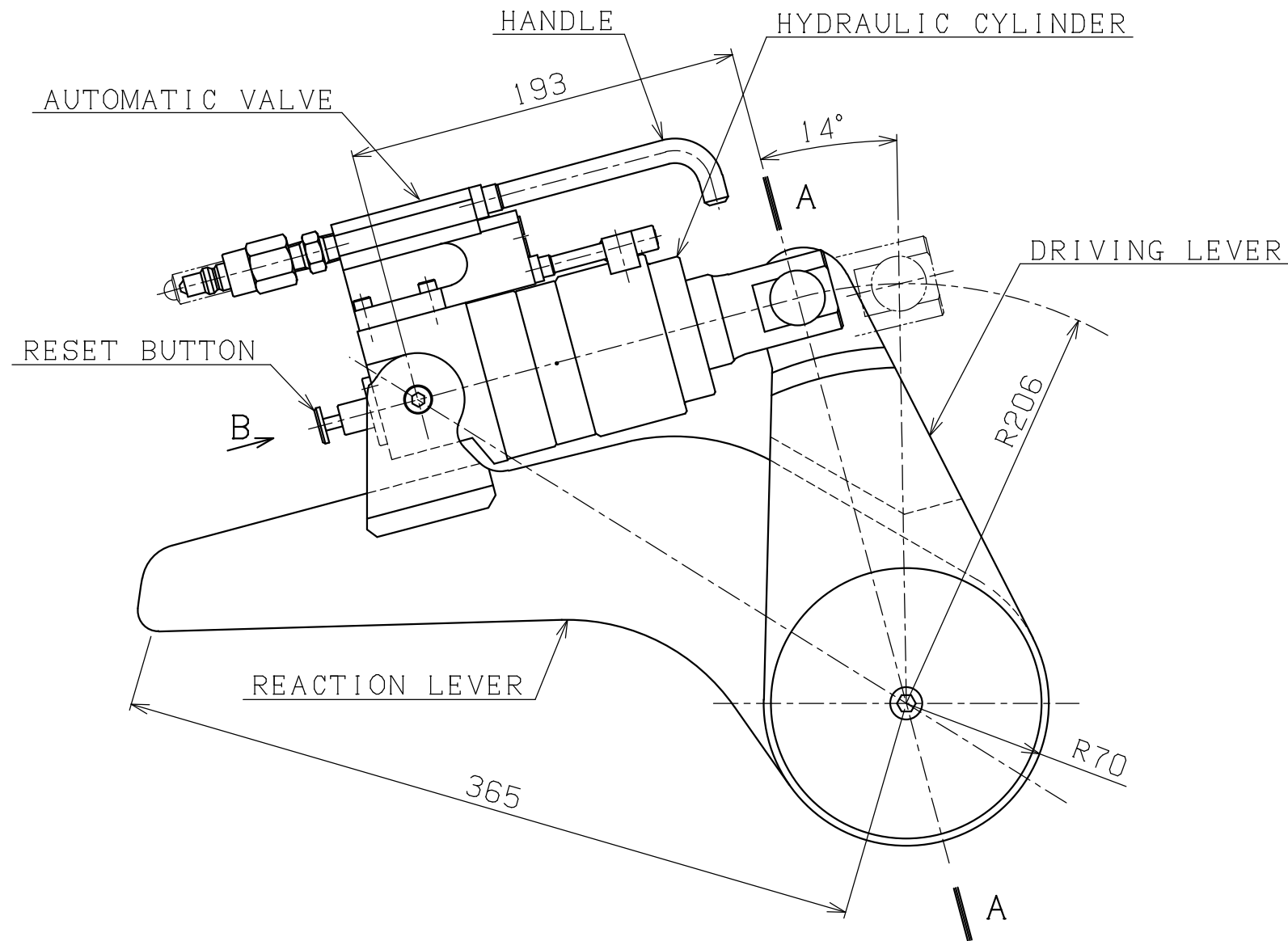
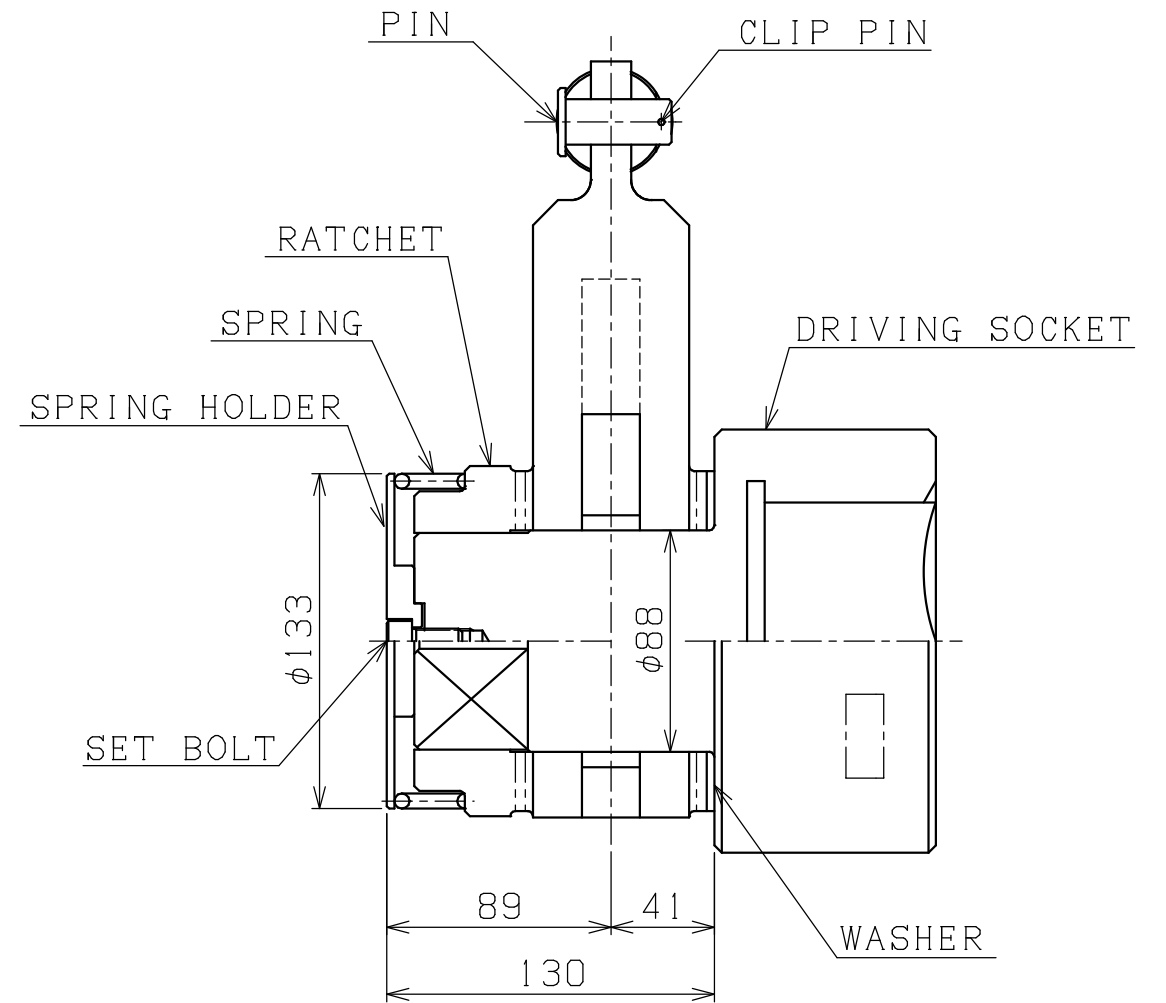


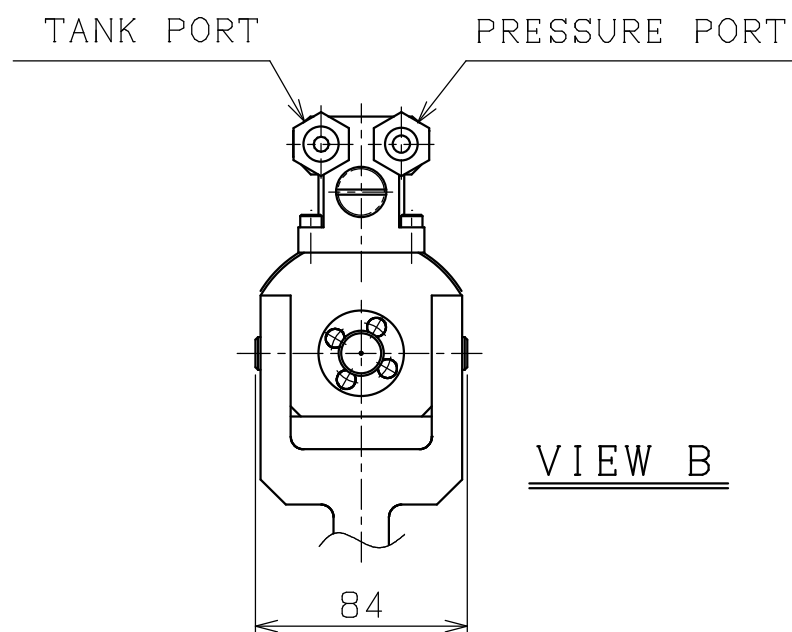
A3-0783A



SPECIFICATION	
MAX. TORQUE	30 kN
MAX. PRESSURE	60 MPa
ACCURACY	2 % at max. torque
WEIGHT (approx)	29 kgG (except driving socket)



SEC. A-A



VIEW B

PLAN RECORD	基本仕上	MARK	PARTICULAR	QUAN	MATERIAL	SIZE	WEIGHT	REMARK
	寸法許容差	C H I E F		TYPE = TW - N3 TORQUE WRENCH				
	区分許容差	H E A D						
	1 ~ 4 ±0.1	CHECKED BY		DRAWING NO. A3-0783A				
	5 ~ 16 ±0.2	DRAWN BY						
	17 ~ 63 ±0.3	DATE DRAWN		SAEKI ENGINEERING Co., LTD.				
	64 ~ 250 ±0.5	SCALE						
	250~1000 ±0.8							

記号
4005
1005
255
6.3S
0.8S