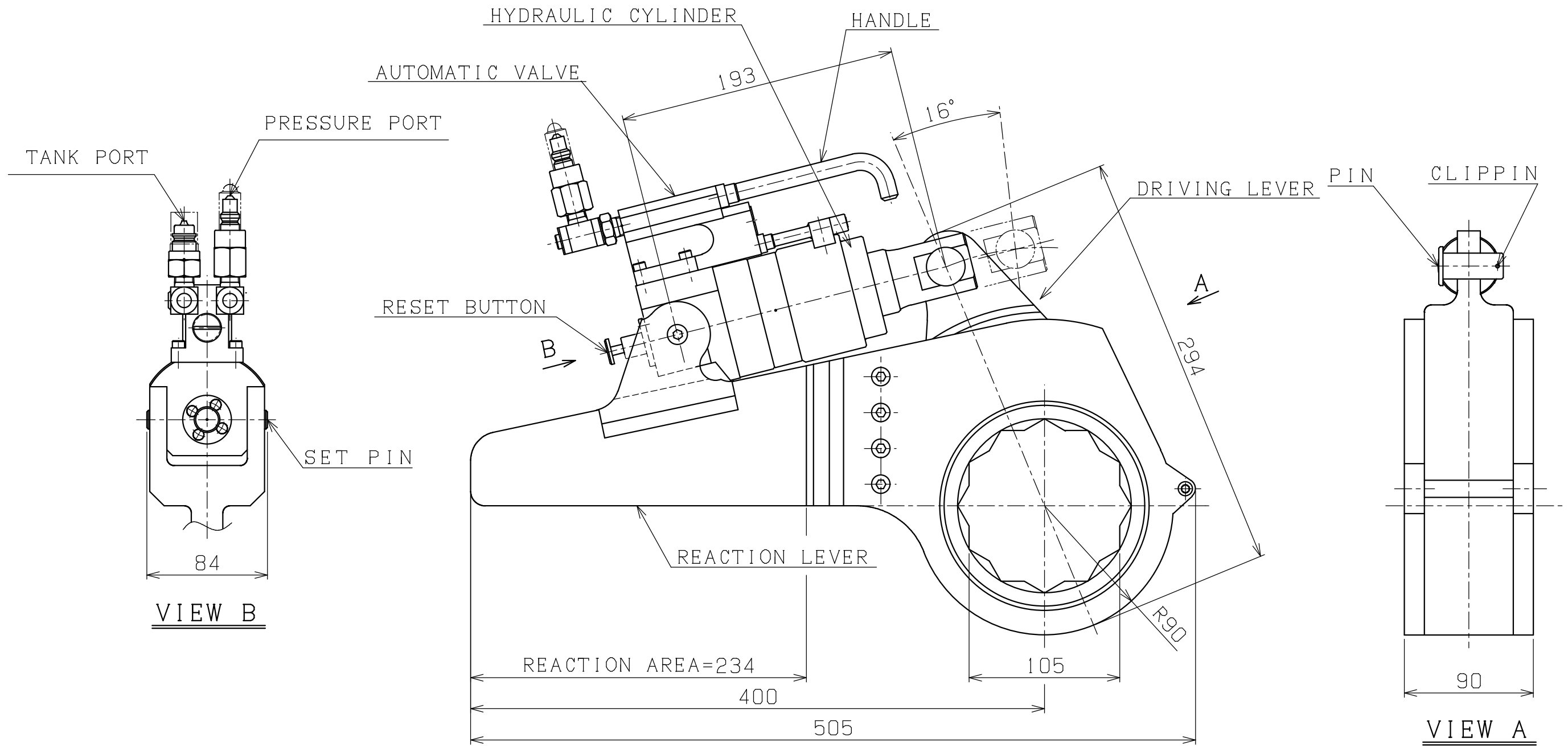


A3-1250C



SPECIFICATION	
MAX. TORQUE	20 kN
MAX. PRESSURE	46 MPa
ACCURACY	2% at max. torque
WEIGHT (approx)	29 kg

PLAN RECORD	基本仕上	MARK	PARTICULAR	QUAN	MATERIAL	SIZE	WEIGHT	REMARK
	寸法許容差	C H I E F		TYPE = TW - N2CHB105				
	区分許容差	H E A D		TORQUE WRENCH				
	1 ~ 4 ±0.1	CHECKED BY		DRAWING NO. A3-1250C				
	5 ~ 16 ±0.2	DRAWN BY		SAEKI ENGINEERING Co., LTD.				
	17 ~ 63 ±0.3	DATE DRAWN						
	64 ~ 250 ±0.5	SCALE						
	250 ~ 1000 ±0.8							

記号
4005
1005
255
6.35
0.85