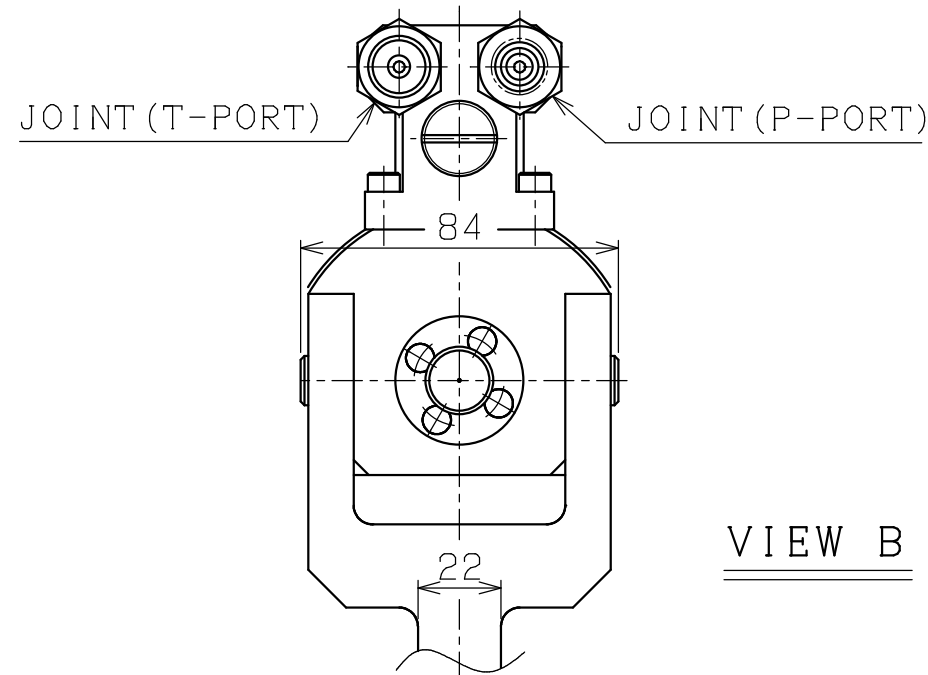
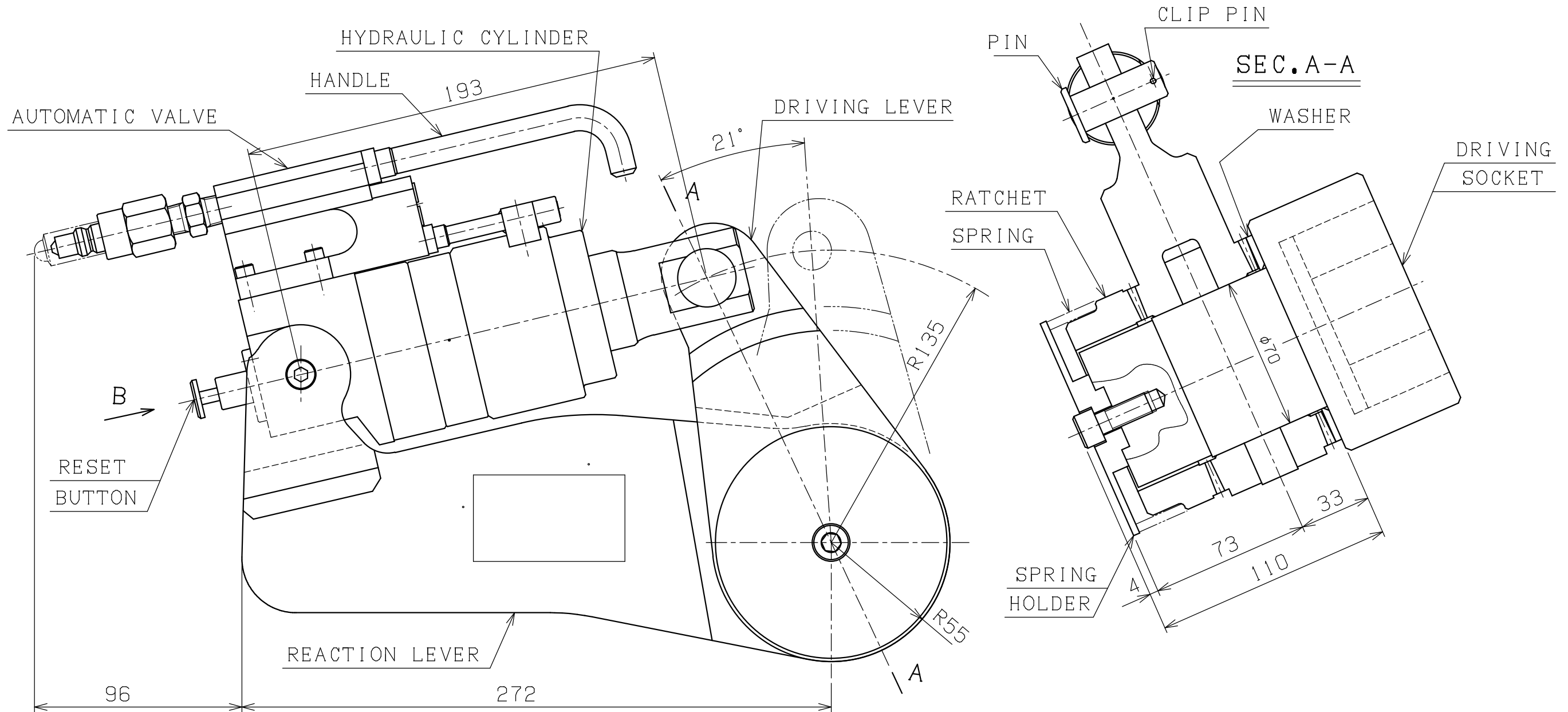


A3-0782



SPECIFICATION	
MAX. TORQUE	20 kN-m
MAX. PRESSURE	60 MPa
ACCURACY	3 % at max. torque
WEIGHT (approx)	20 kgG (except driving socket)

PLAN RECORD	基本仕上	MARK	PARTICULAR	QUAN	MATERIAL	SIZE	WEIGHT	REMARK
	寸法許容差	C H I E F		TW-N2				
	区分許容差	H E A D						
	1 ~ 4 ±0.1	CHECKED BY		TORQUE WRENCH				
	5 ~ 16 ±0.2	DRAWN BY						
	17 ~ 63 ±0.3	DATE DRAWN		DRAWING NO.	A3-0782			
	64 ~ 250 ±0.5	SCALE 1/2		SAEKI ENGINEERING Co., LTD.				
	250~1000 ±0.8							

記号  
400S  
100S  
25S  
6.3S  
0.8S