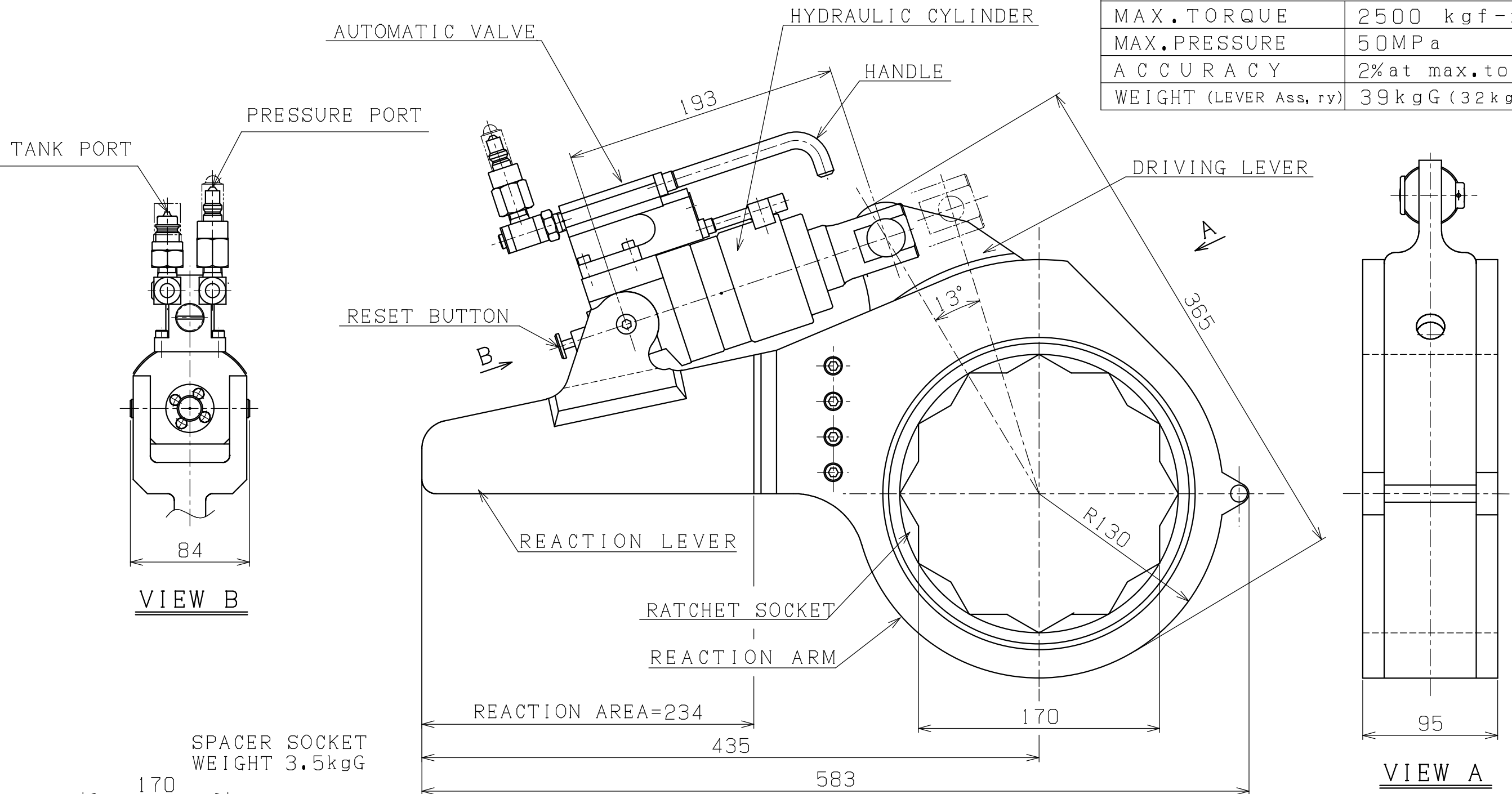
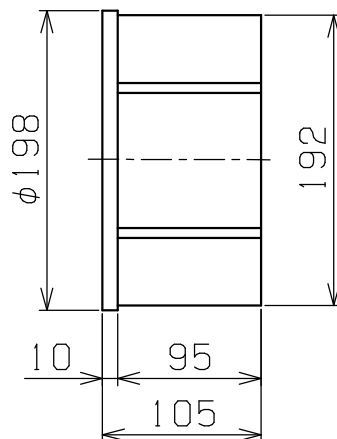
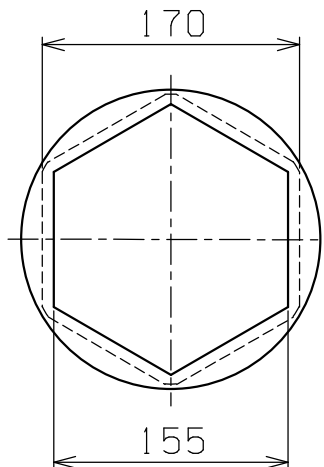


A3-1661

SPECIFICATION	
MAX. TORQUE	2500 kgf-m
MAX. PRESSURE	50MPa
ACCURACY	2% at max. torque
WEIGHT (LEVER Ass, ry)	39kgG (32kgG)



SPACER SOCKET  
WEIGHT 3.5kgG



PLAN RECORD	基本仕上	MARK	PARTICULAR	QUAN	MATERIAL	SIZE	WEIGHT	REMARK
	寸法許容差	C H I E F						
	区分許容差	H E A D						
	1 ~ 4 ±0.1	CHECKED BY						
	5 ~ 16 ±0.2	DRAWN BY						
	17 ~ 63 ±0.3	DATE DRAWN						
	64 ~ 250 ±0.5	SCALE						
	250~1000 ±0.8							
				DRAWING NO.		A3-1661		
				SAEKI ENGINEERING Co., LTD.				

TW-N2.5CHB170  
TORQUE WRENCH

記号  
4005  
1005  
255  
6.35  
0.85