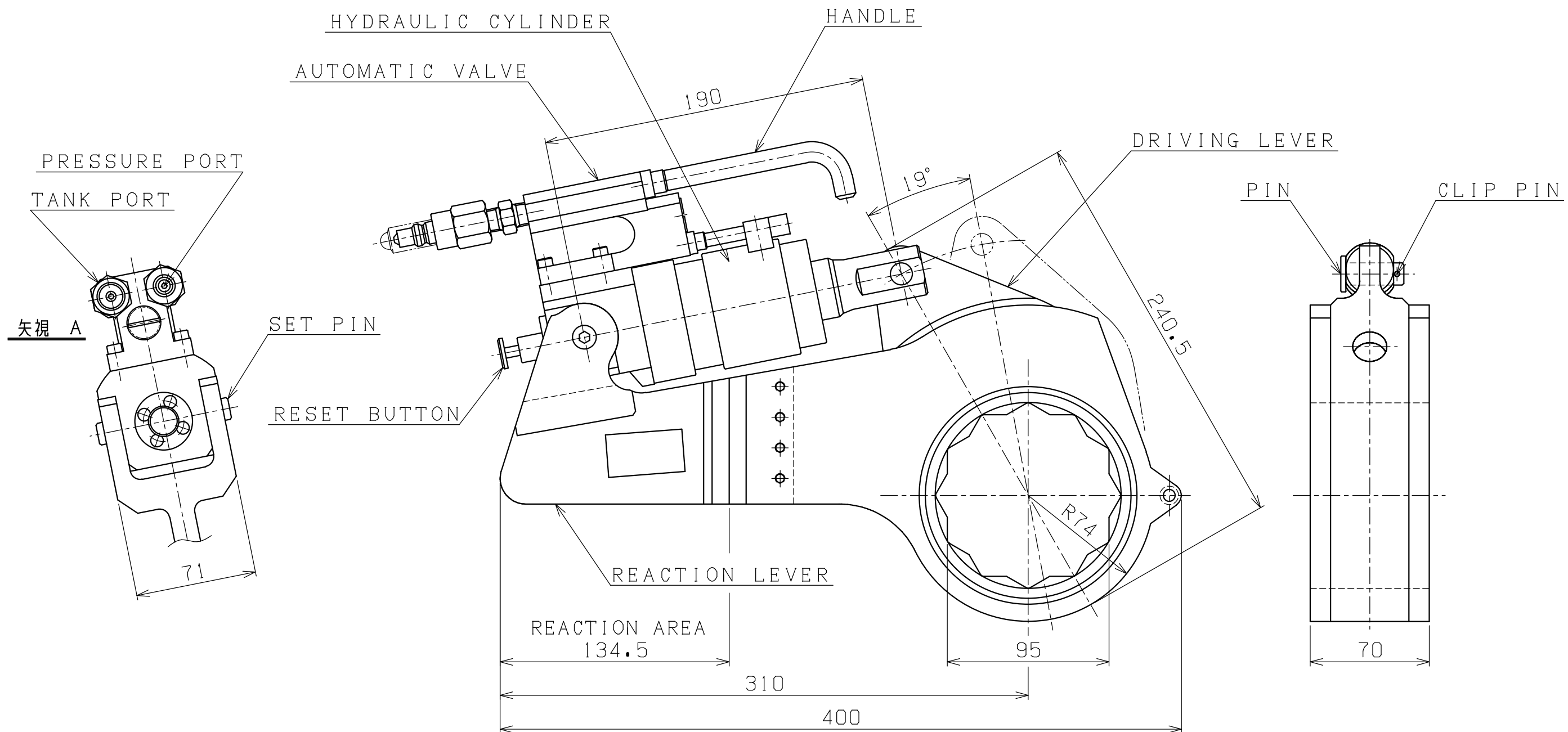


A3-1812



SPECIFICATION	
MAX. TORQUE	10 kN
MAX. PRESSURE	46MPa
ACCURACY	2% at max. torque
WEIGHT (approx)	18kgG

PLAN RECORD	基本仕上	MARK	PARTICULAR	QUAN	MATERIAL	SIZE	WEIGHT	REMARK
	寸法許容差	C H I E F		TW-N1CHB95				
	区分許容差	H E A D		TORQUE WRENCH				
	1 ~ 4 ±0.1	CHECKED BY		DRAWING NO. A3-1812				
	5 ~ 16 ±0.2	DRAWN BY						
	17 ~ 63 ±0.3	DATE DRAWN						
	64 ~ 250 ±0.5	SCALE		SAEKI ENGINEERING Co., LTD.				
	250~1000 ±0.8							

記号  
 400S  
 100S  
 25S  
 6.3S  
 0.8S