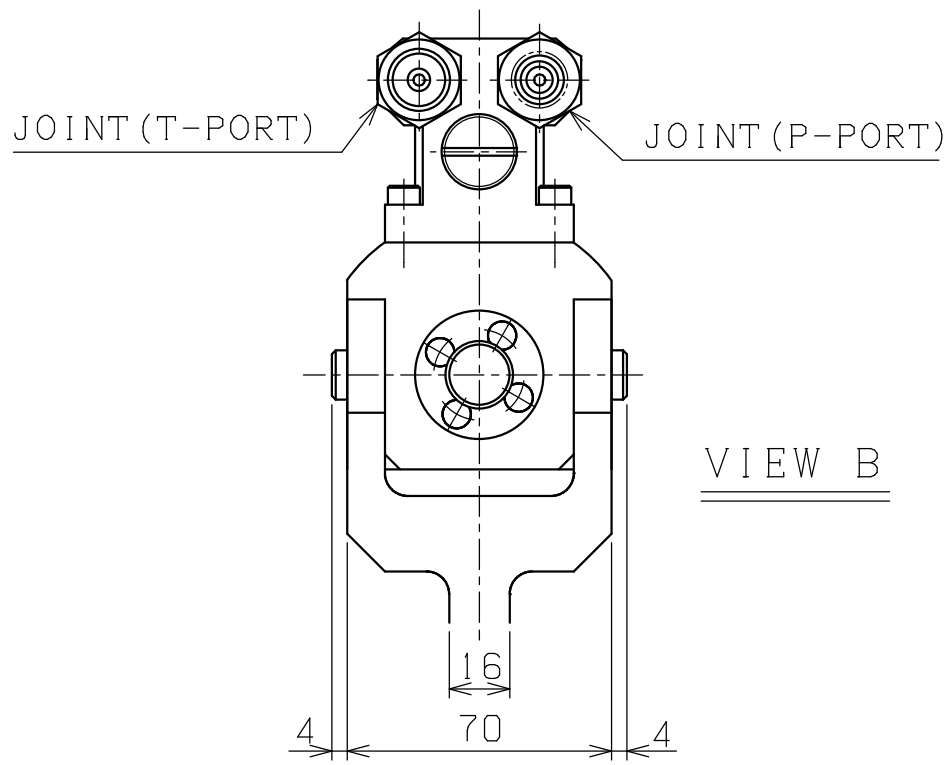
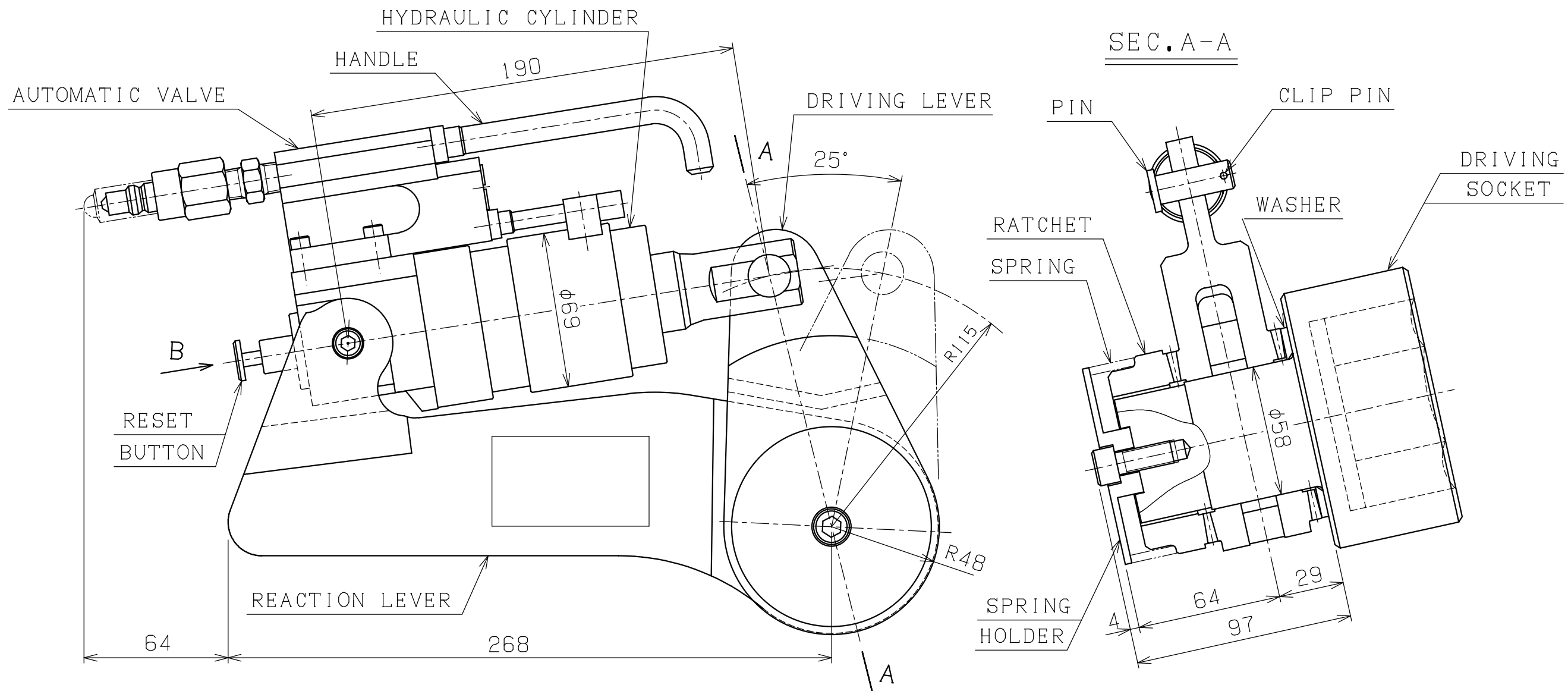


8 3 9 0 - 3 V



SPECIFICATION	
MAX. TORQUE	10 kN-m
MAX. PRESSURE	60 MPa
ACCURACY	3 % at max. torque
WEIGHT (approx)	12 kgG (except driving socket)

PLAN RECORD	基本仕上	MARK	PARTICULAR	QUAN	MATERIAL	SIZE	WEIGHT	REMARK
	寸法許容差	C H I E F		TW-N1				
	区分許容差	H E A D		TORQUE WRENCH				
	1 ~ 4 ±0.1	CHECKED BY		DRAWING NO. A3-0638				
	5 ~ 16 ±0.2	DRAWN BY						
	17 ~ 63 ±0.3	DATE DRAWN						
	64 ~ 250 ±0.5	SCALE 1/2		SAEKI ENGINEERING Co., LTD.				
	250~1000 ±0.8							

記号
400S
100S
25S
6.3S
0.8S