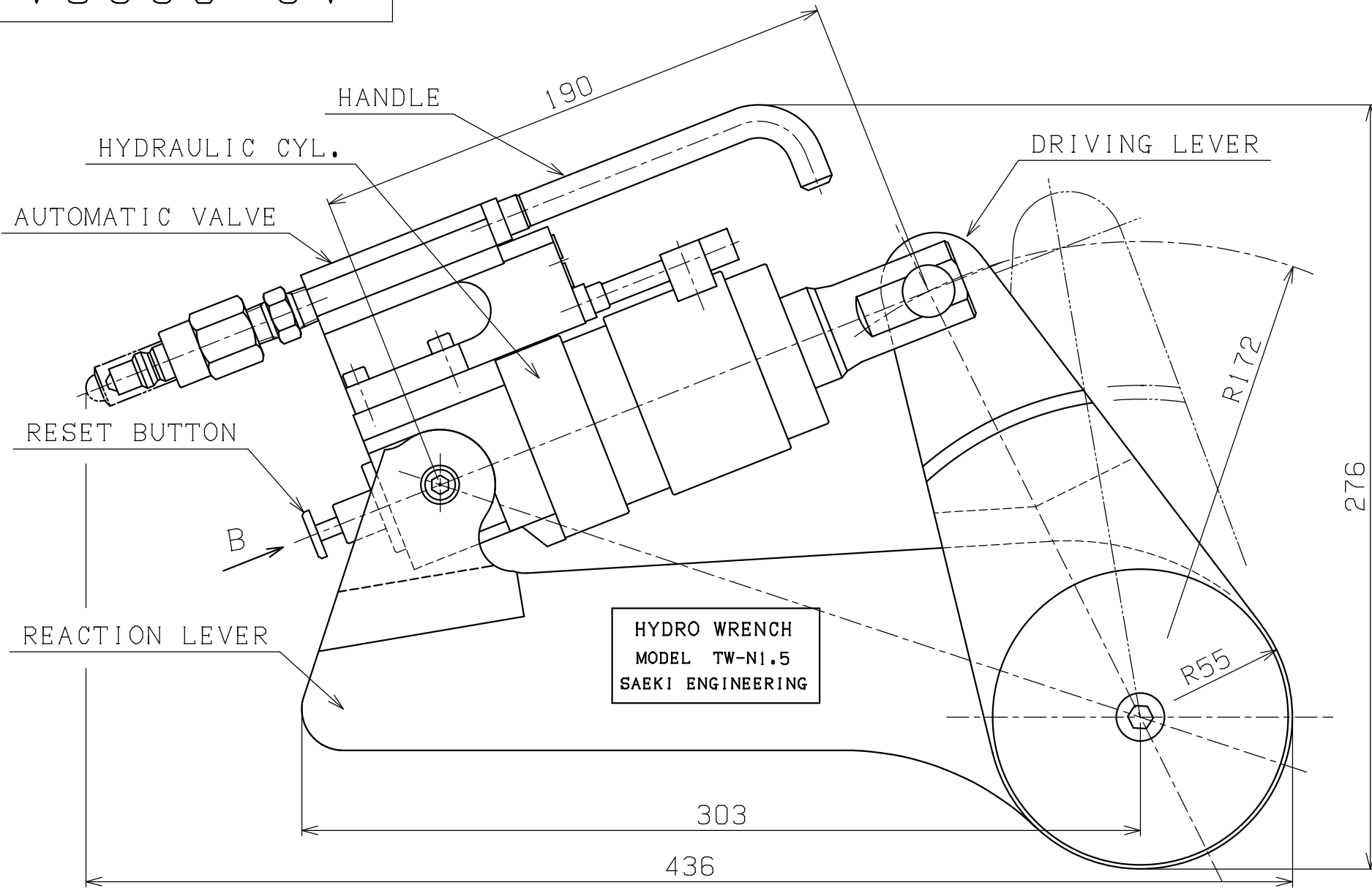
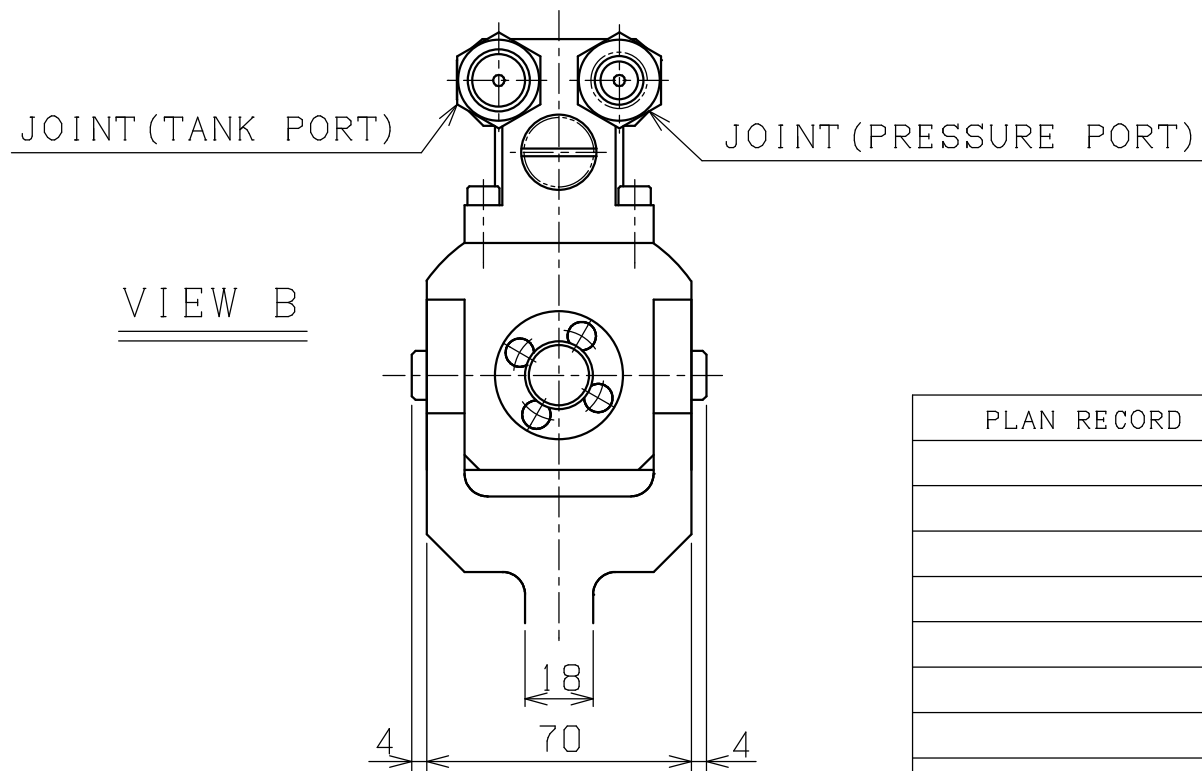
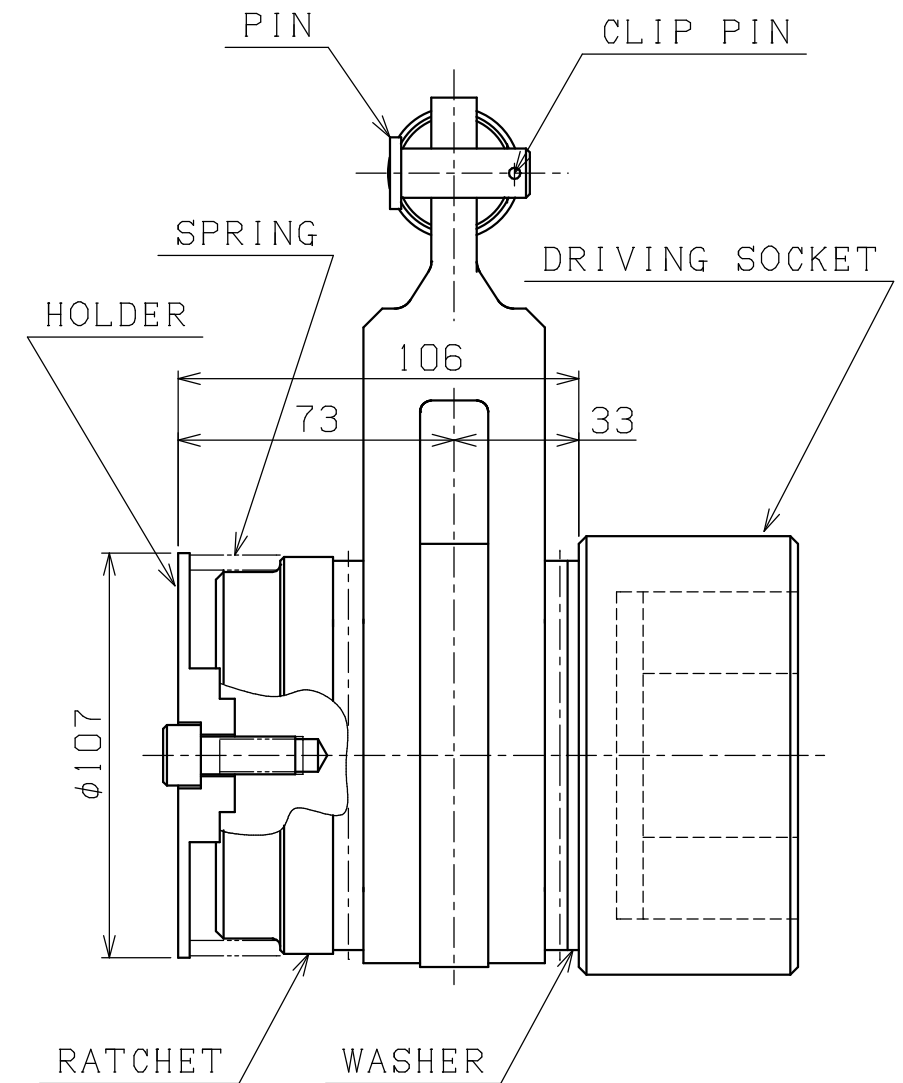


V 8 E 9 0 - E V



HYDRO WRENCH
MODEL TW-N1.5
SAEKI ENGINEERING



VIEW B

SPECIFICATION	
MAX. TORQUE	15 kN
MAX. PRESSURE	60 MPa
ACCURACY	3% at max. torque
WEIGHT (approx)	15 kgG

PLAN RECORD	基本仕上	MARK	PARTICULAR	QUAN	MATERIAL	SIZE	WEIGHT	REMARK
	寸法許容差	C H I E F		TW-N1.5				
	区分許容差	H E A D						
	1 ~ 4 ±0.1	CHECKED BY		TORQUE WRENCH				
	5 ~ 16 ±0.2	DRAWN BY						
	17 ~ 63 ±0.3	DATE DRAWN		DRAWING NO.	A 3 - 0 6 3 8 A			
	64 ~ 250 ±0.5	SCALE 1/2		SAEKI ENGINEERING Co., LTD.				
	250~1000 ±0.8							

記号
4005
1005
255
6.35
0.85