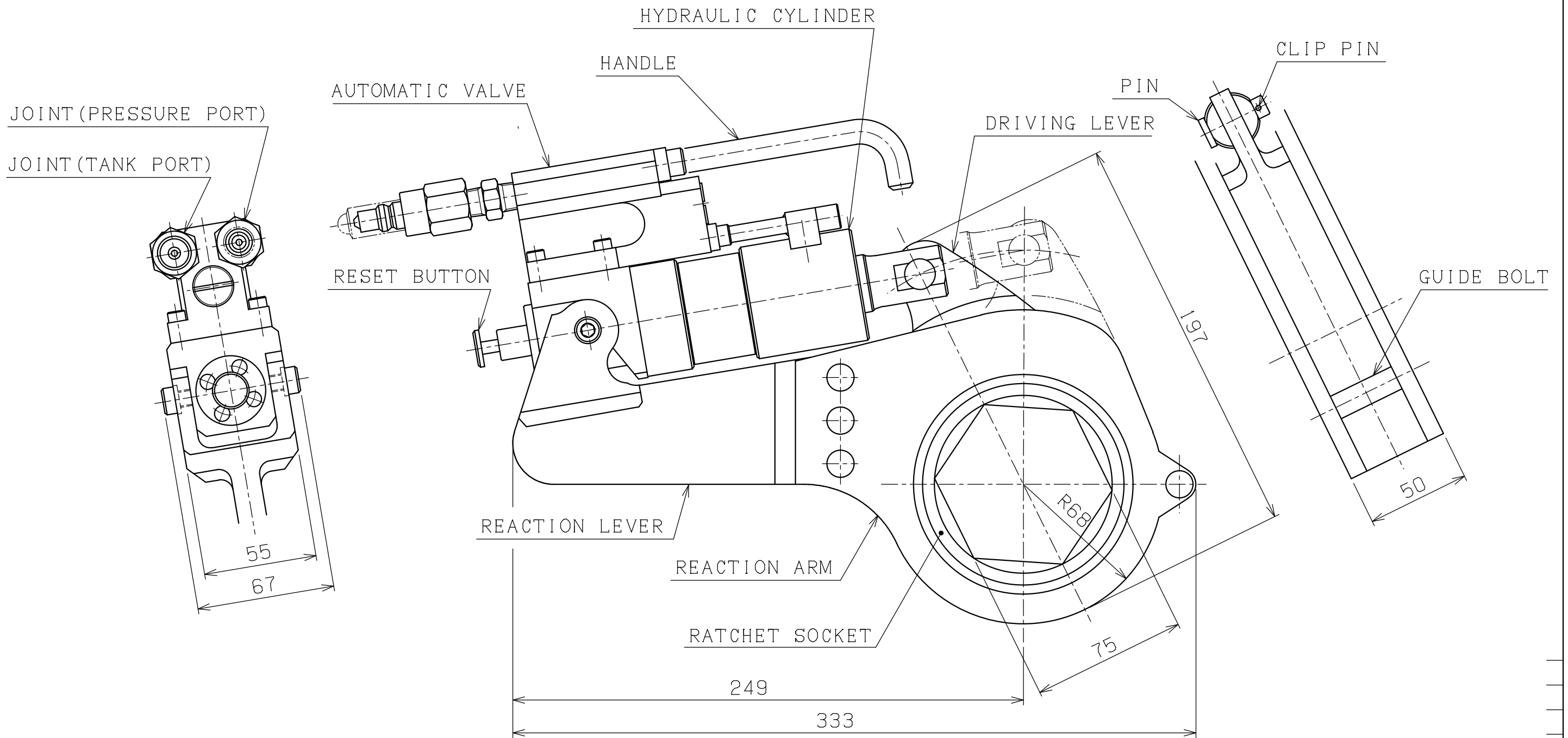


A3-1159A



SPECIFICATION	
MAX. TORQUE	5 kN
MAX. PRESSURE	60 MPa
ACCURACY	3 % at max. torque
WEIGHT (approx)	10 kgG

PLAN RECORD	基本仕上	MARK	PARTICULAR	QUAN	MATERIAL	SIZE	WEIGHT	REMARK
	寸法許容差	C H I E F		TW-N05CHB75				
	区分許容差	H E A D		TORQUE WRENCH				
	1 ~ 4 ±0.1	CHECKED BY		DRAWING NO. A3-1159A				
	5 ~ 16 ±0.2	DRAWN BY		SAEKI ENGINEERING Co., LTD.				
	17 ~ 63 ±0.3	DATE DRAWN						
	64 ~ 250 ±0.5	SCALE 1/2						
	250~1000 ±0.8							

記号  
400S  
100S  
25S  
6.3S  
0.8S