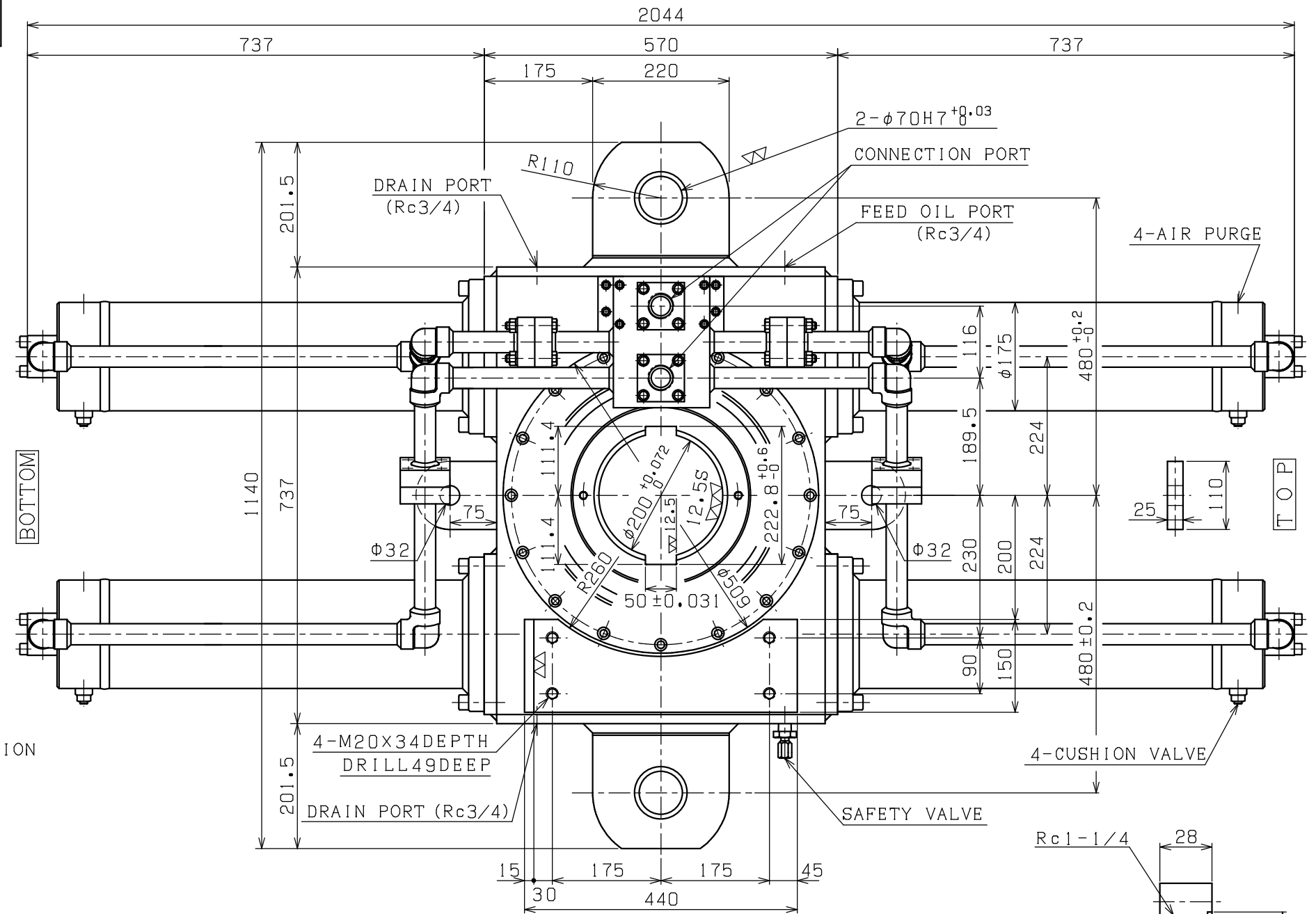
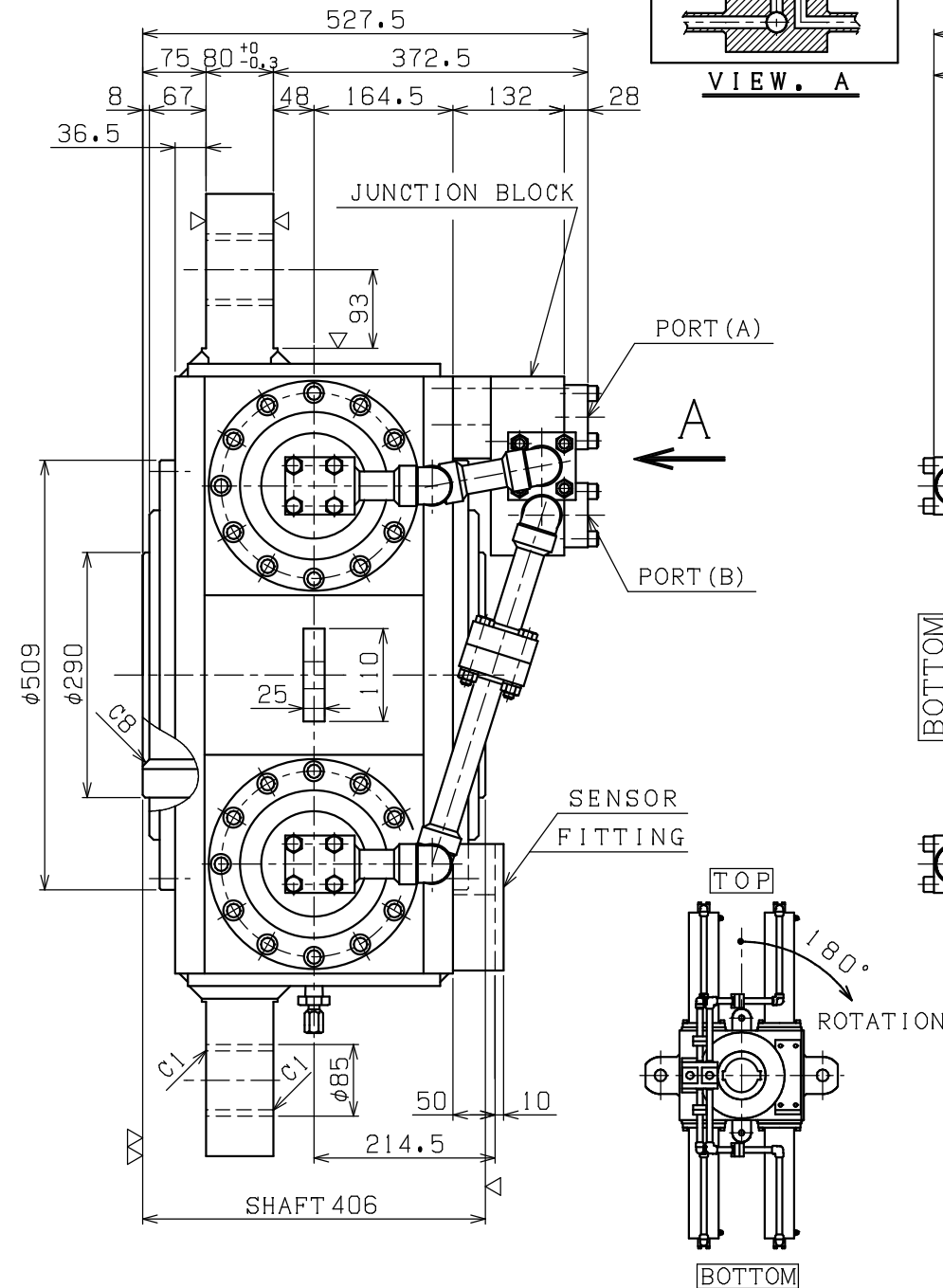
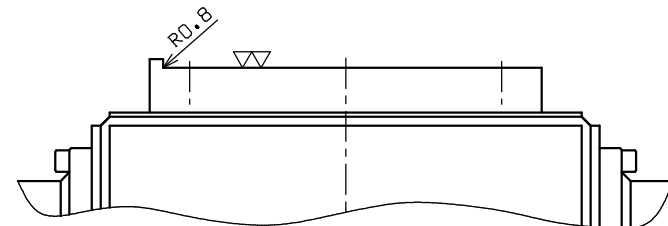
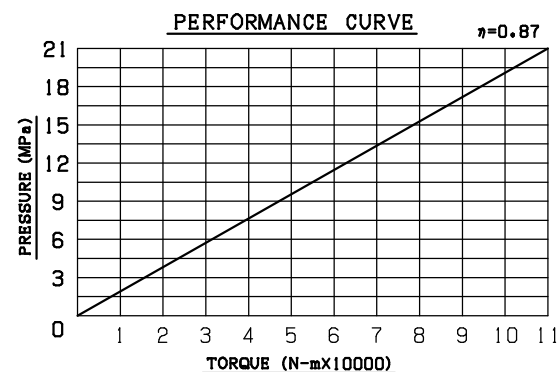


This drawing shows the starting key position



SPECIFICATION	
TEST PRESSURE	30.9MPa (315kgf/cm ²)
MAX. TORQUE	110000N-m at 20.6MPa (210kgf/cm ²)
RATED TORQUE	90000N-m at 16.9MPa (172kgf/cm ²)
ROTATION ANGLE	180 DEG ± 1°
CYL. OIL QUANTITY	0.0533 LITER/DEG.
CASING OIL CAPAC.	20L (GEAR OIL at ISO-VG460)
WORKING FLUID	FATTYACID ESTER
WEIGHT	1800kgG
ALLOWABLE RADIAL LOAD	937.5kN
ALLOWABLE THRUST LOAD	197.0kN



PLAN RECORD	基本仕上	MARK	PARTICULAR	QUAN	MATERIAL	SIZE	WEIGHT	REMARK
	寸法許容差	CHIEF						
	区分許容差	HEAD						
	1 ~ 4 ±0.1	CHECKED BY						
	5 ~ 16 ±0.2	DRAWN BY						
	17 ~ 63 ±0.3	DATE DRAWN	2005-3-5					
	64 ~ 250 ±0.5	SCALE	1/5					
	250~1000 ±0.8							

AW-T11H-180BC (TYPE=DS)
ROTARY ACTUATOR
DRAWING NO. A2-0341
SAEKI ENGINEERING Co., LTD.

記号
4005
1005
255
6.38
0.85