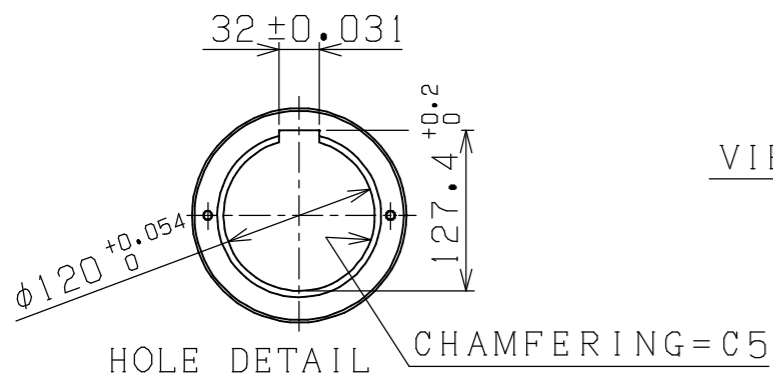
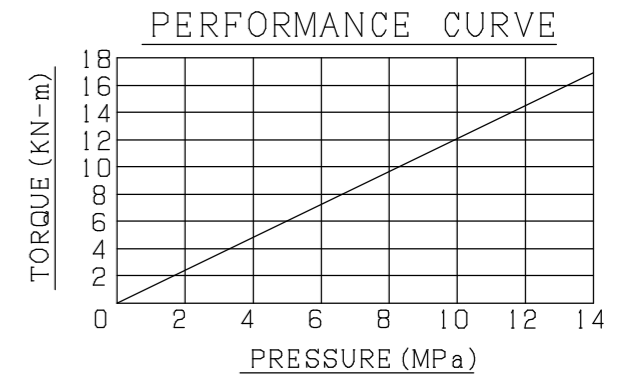
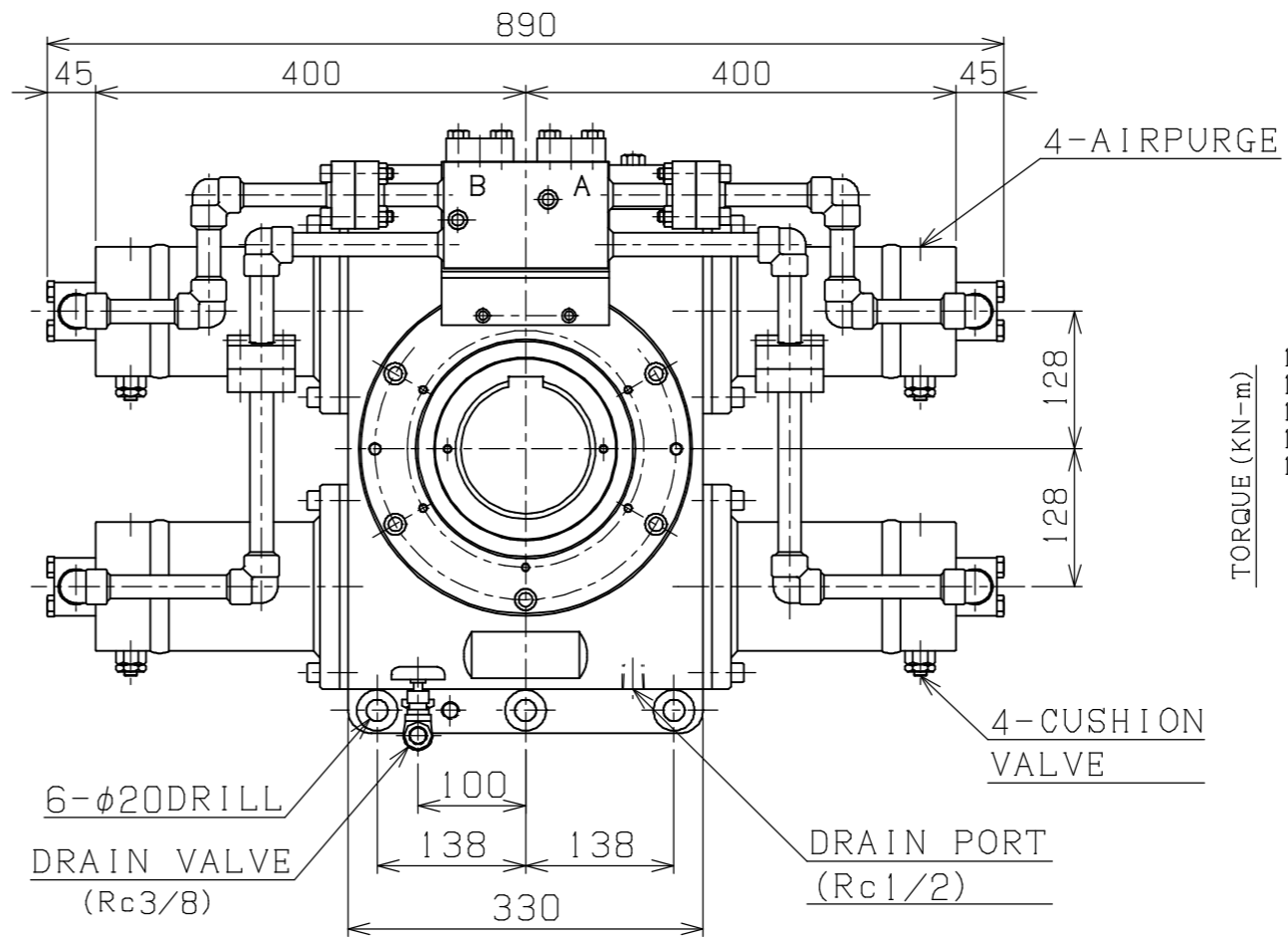
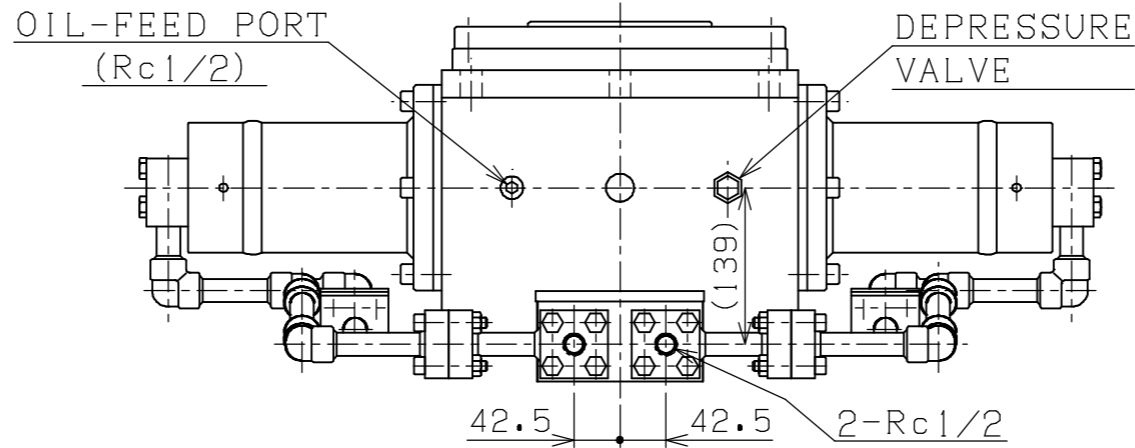
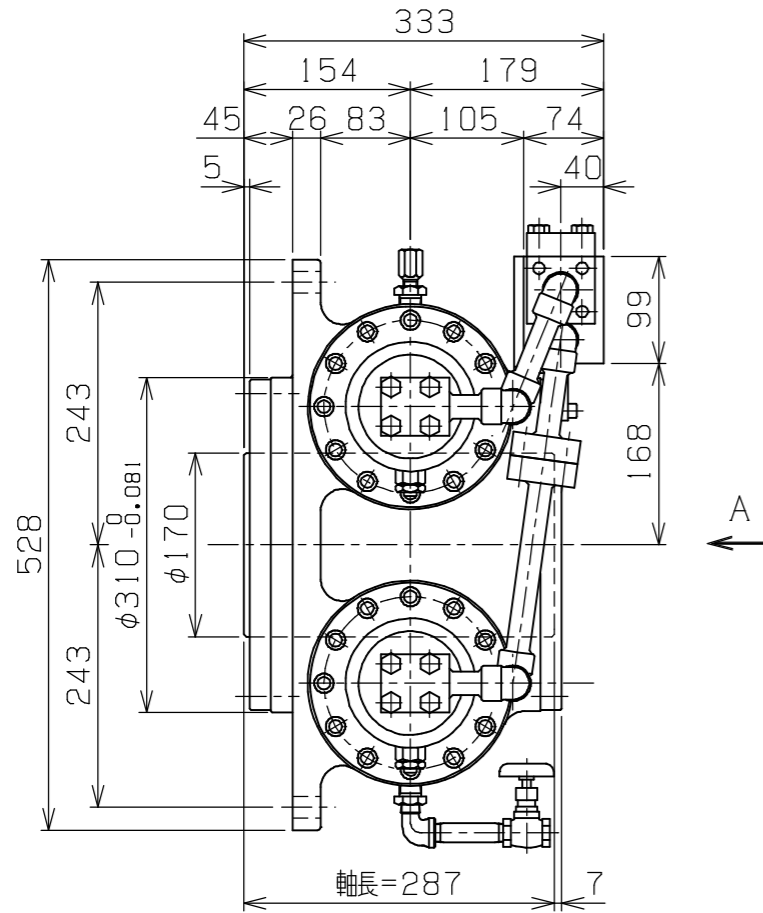
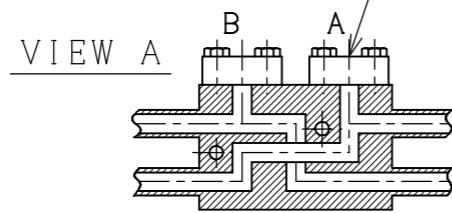


Λ 0 2 6 0 - E V

SPECIFICATION	
TEST PRESSURE	20.55MPa
MAX. PRESSURE	13.7MPa
MAX. TORQUE	16.4KN-m
ROTATION ANGLE	90°
FLUSHING FLUID	NAS 10
CYL. OIL QUANTITY	0.024L/DEG.
WEIGHT (ABOUT)	285kg
WORKING FLUID	MINERAL OIL
PAINT COLOR	RUST-PROOFING SPRAY (LACQUER)
CASING GEAR OIL	ISO-VG460·4000cc



PRESSURE =
ANTI CLOCWISE
ROTATION



PLAN RECORD	基本仕上	MARK	PARTICULAR	QUAN	MATERIAL	SIZE	WEIGHT	REMARK
	寸法許容差	C H I E F			AW-T1.6H-90SF5			
	区分許容差	H E A D			ROTARY ACTUATOR			
	1 ~ 4 ±0.1	CHECKED BY			DRAWING NO. A3-0920V			
	5 ~ 16 ±0.2	DRAWN BY <i>K. Saeki</i>						
	17 ~ 63 ±0.3	DATE DRAWN						
	64 ~ 250 ±0.5	SCALE 1/7			SAEKI ENGINEERING Co., LTD.			
	250~1000 ±0.8							

記号
400S
100S
25S
6.3S
0.8S