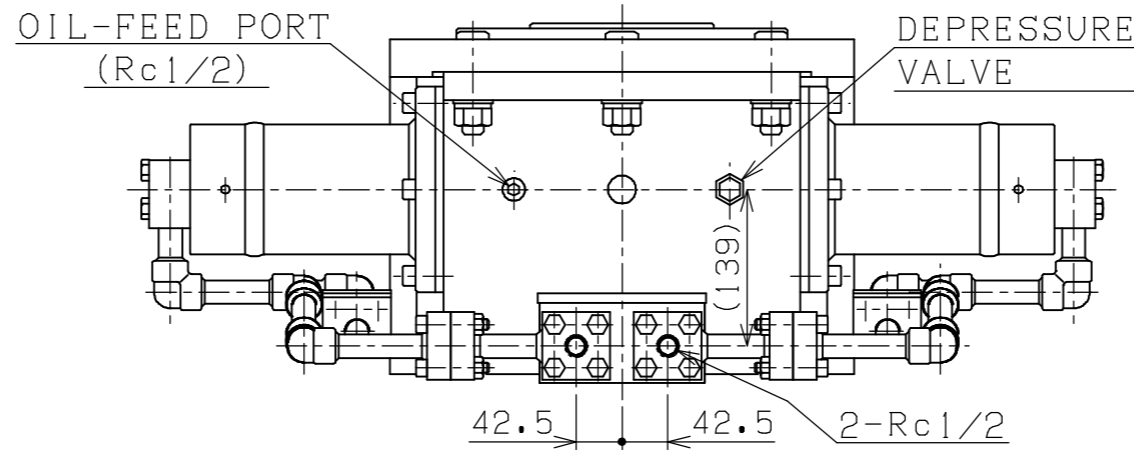
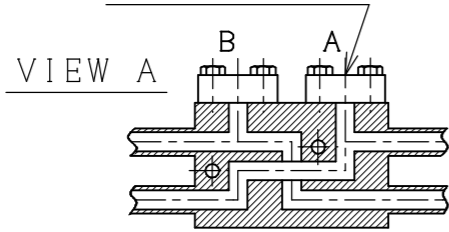
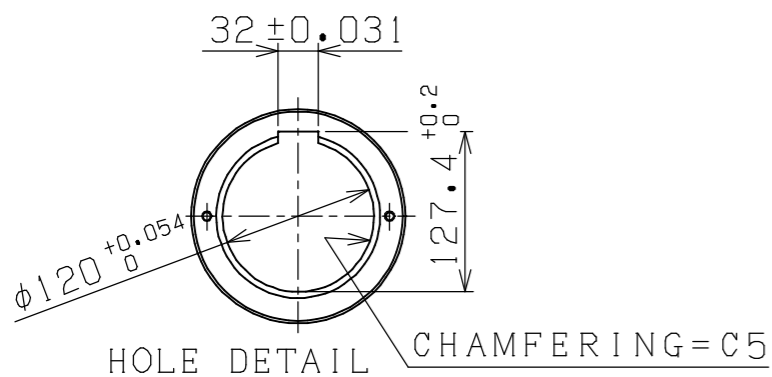
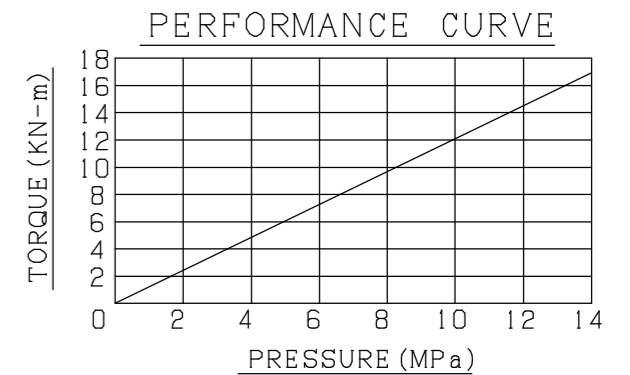
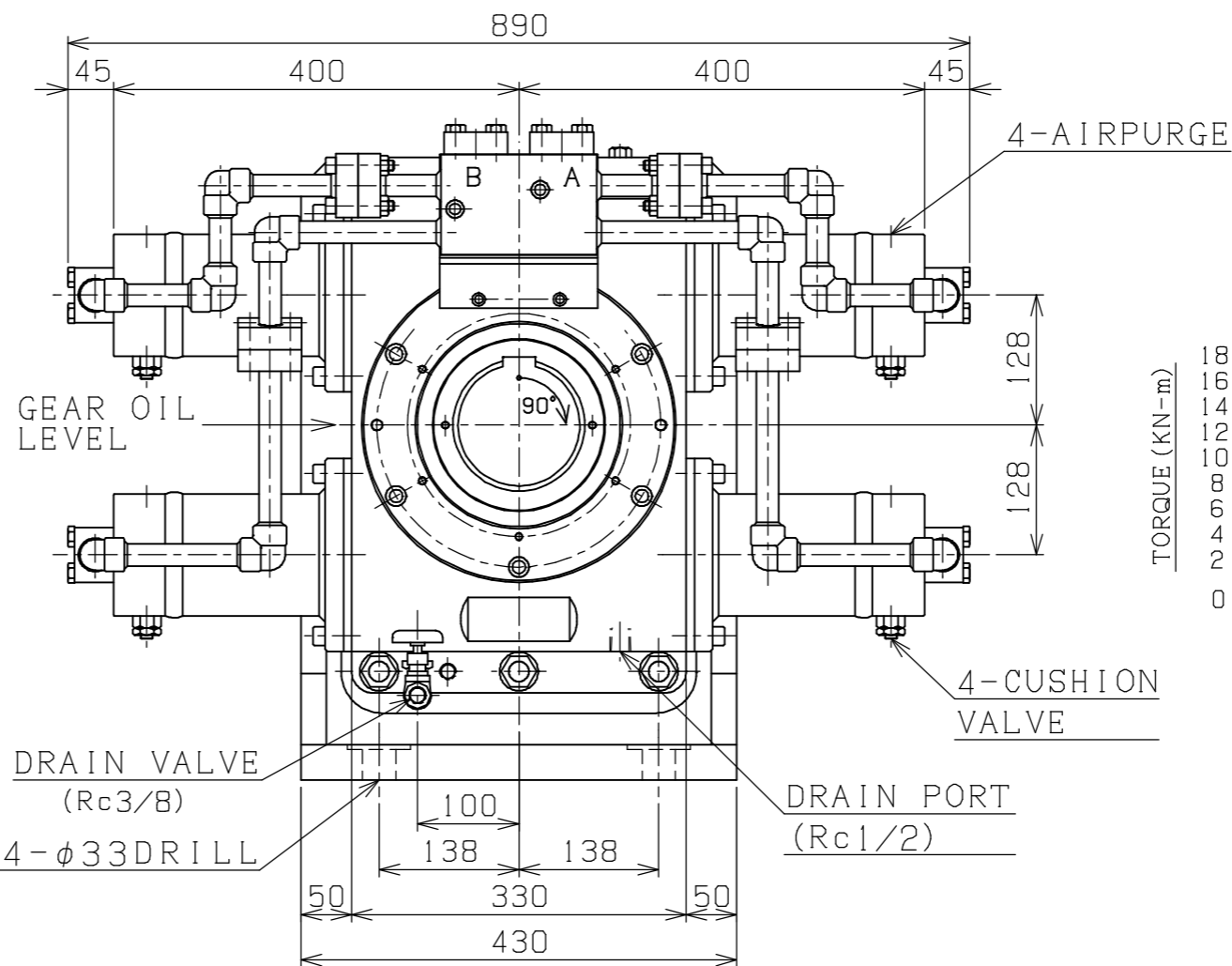
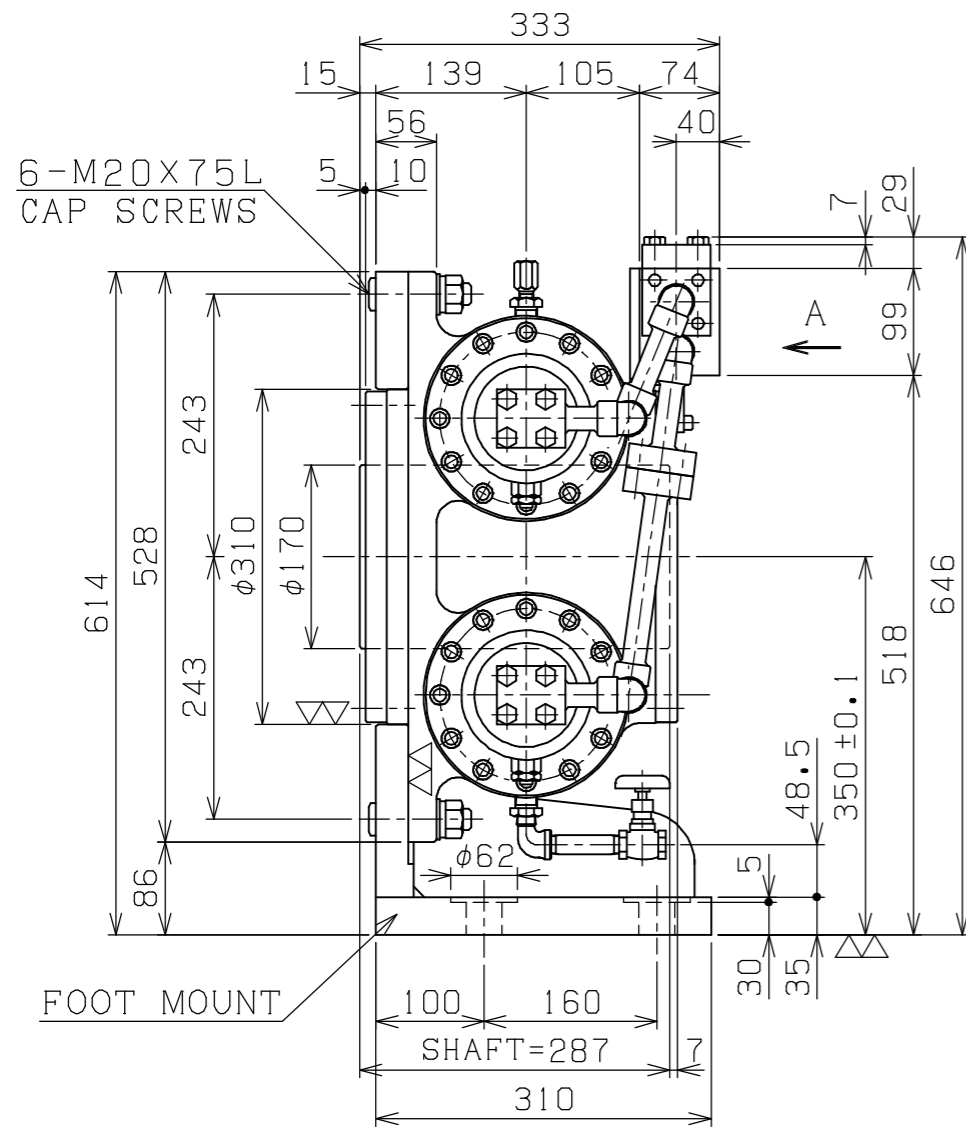


S0260-3V

PRESSURE=
ANTI CLOCWISE
ROTATION



SPECIFICATION	
TEST PRESSURE	20.55MPa
MAX. PRESSURE	13.7MPa
MAX. TORQUE	16.4KN-m
ROTATION ANGLE	90°
FLUSHING FLUID	NAS 10
CYL. OIL QUANTITY	0.024L/DEG.
WEIGHT (ABOUT)	377kg
WORKING FLUID	FATTYACID ESTER
PAINT COLOR	RUST-PROOFING SPRAY (LACQUER)
CASING GEAR OIL	ISO-VG460·4000cc



PLAN RECORD	基本仕上	MARK	PARTICULAR	QUAN	MATERIAL	SIZE	WEIGHT	REMARK	
	寸法許容差	C H I E F			AW-T1.6H-90SF5				
	区分	許容差	H E A D			ROTARY ACTUATOR			
	1 ~ 4	±0.1	CHECKED BY			DRAWING NO. A3-0920S			
	5 ~ 16	±0.2	DRAWN BY <i>K. Saeki</i>						
	17 ~ 63	±0.3	DATE DRAWN						
	64 ~ 250	±0.5	SCALE 1/7			SAEKI ENGINEERING Co., LTD.			
	250~1000	±0.8							

記号
400S
100S
25S
6.3S
0.8S