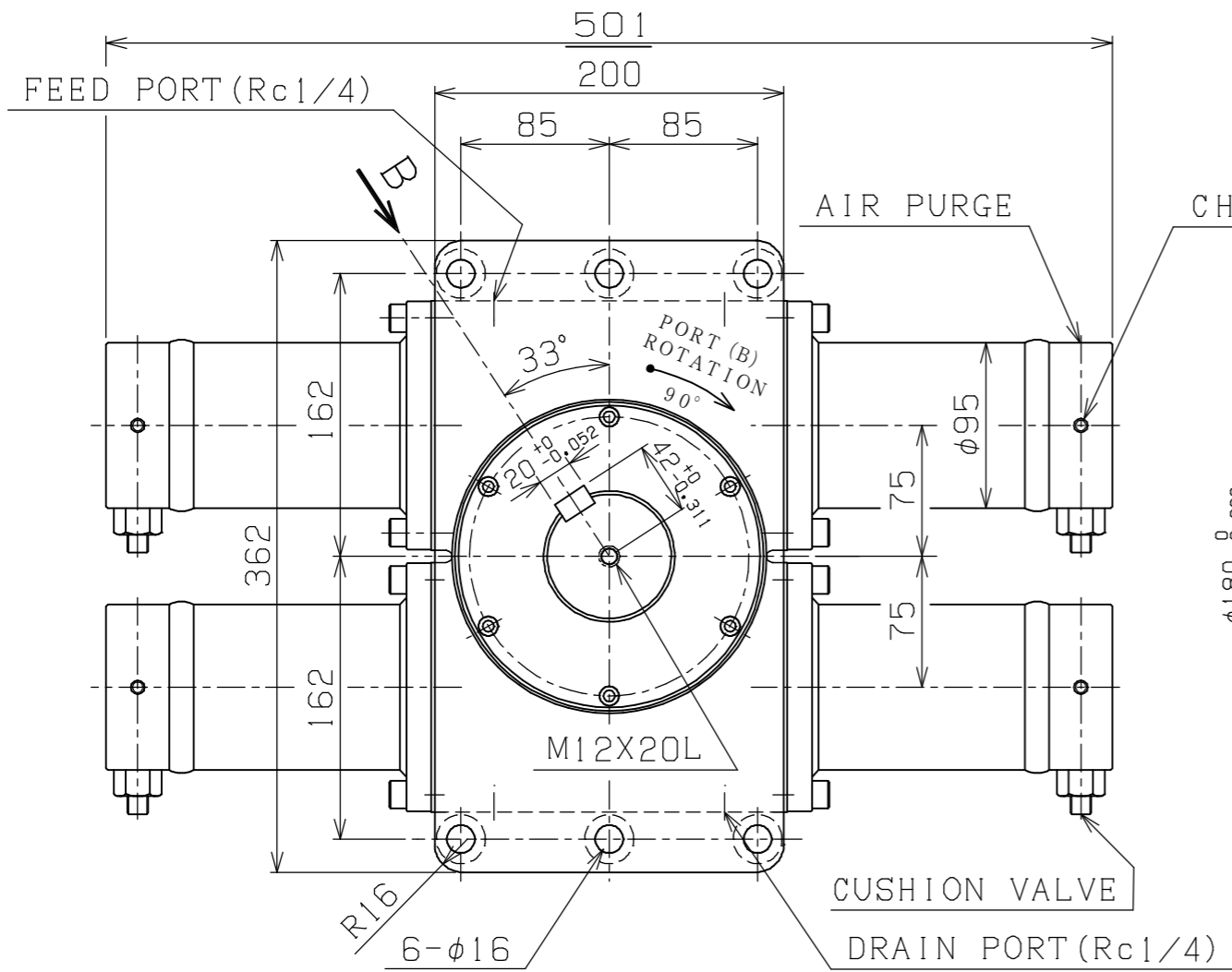


A3-0184B



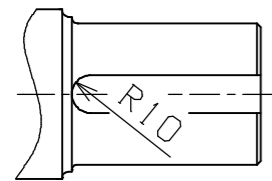
CHECK VALVE

AIR PURGE

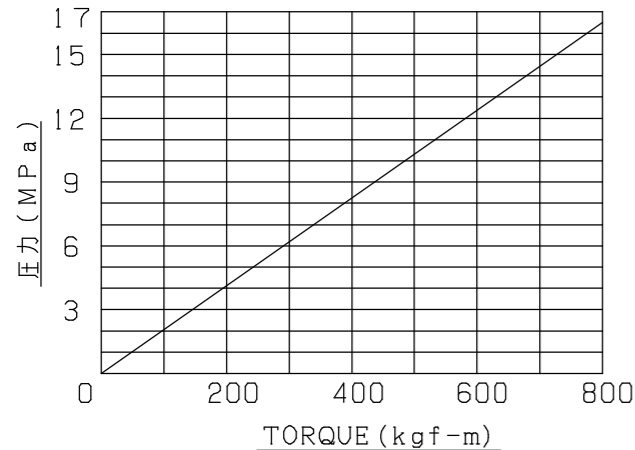
CUSHION VALVE

DRAIN PORT (Rc1/4)

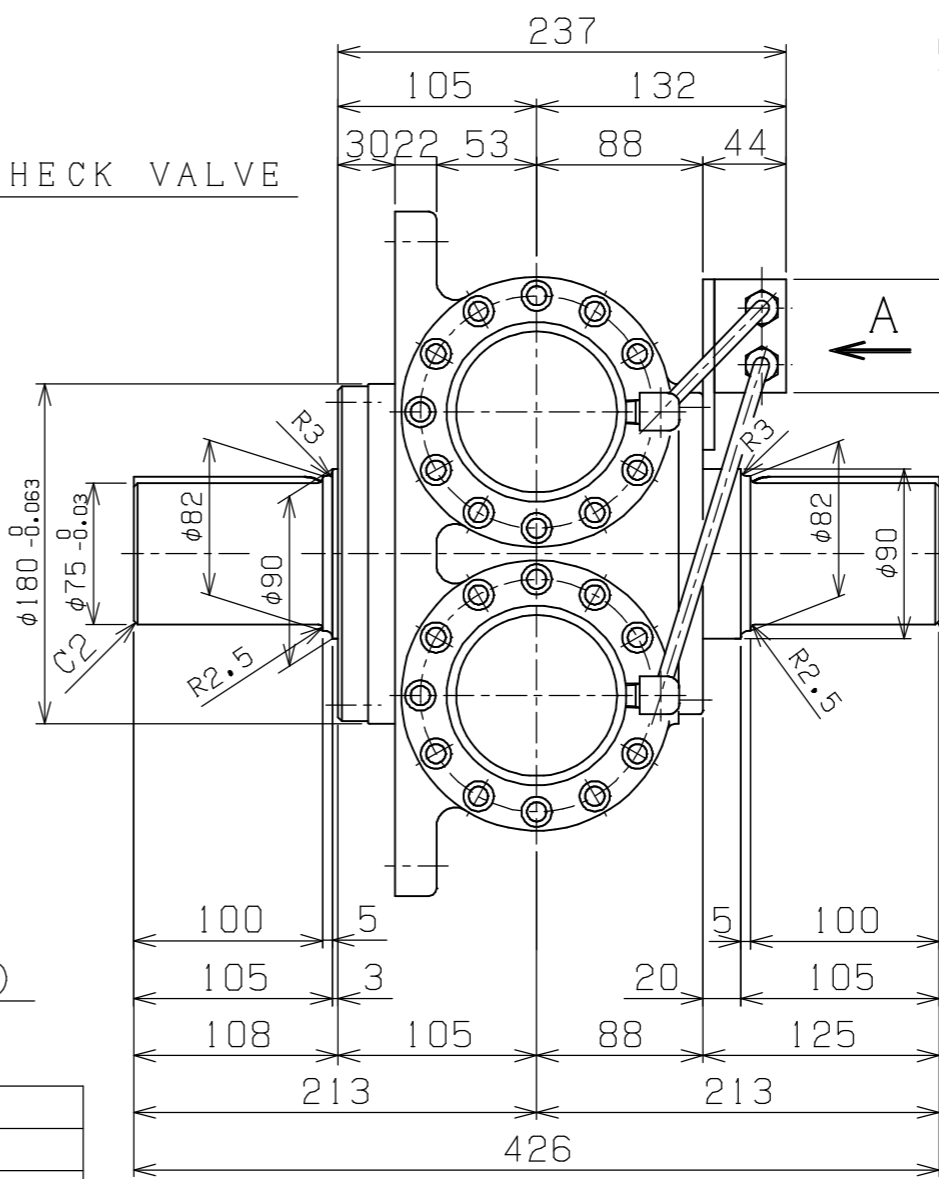
VIEW B



PERFORMANCE CURVE



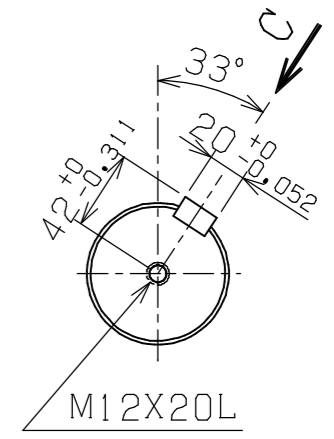
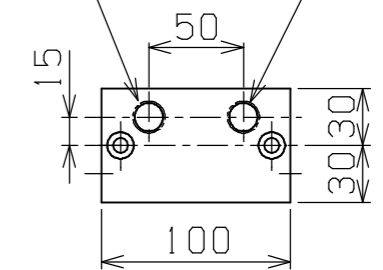
SPECIFICATION	
TEST PRESSURE	24.3 MPa
MAX. WORKING PRESS.	16.2 MPa
MAX. TORQUE	800 kgf-m
CYL. OIL QUANTITY	0.01 Lat 1°
CASING OIL CAPAC.	0.9L (460#)
WORKING FLUID	WATER GLYCOL
WEIGHT (ABOUT)	130 kgG



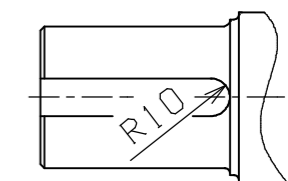
JOINT PORT (D) Rc3/8

VIEW A

JOINT PORT (C) Rc3/8



VIEW C



this drawing position of the key way it shows starting rotation

PLAN RECORD	基本仕上	MARK	PARTICULAR	QUAN	MATERIAL	SIZE	WEIGHT	REMARK
	寸法許容差	C H I E F			AW-T0.8W-90P			
	区分	許容差	H E A D			ROTARY ACTUATOR		
	1 ~ 4	±0.1	CHECKED BY			DRAWING NO. A3-0184B		
	5 ~ 16	±0.2	DRAWN BY <i>K. Saeki</i>					
	17 ~ 63	±0.3	DATE DRAWN					
	64 ~ 250	±0.5	SCALE 1/4			SAEKI ENGINEERING Co., LTD.		
	250~1000	±0.8						

記号
400S
100S
25S
6.3S
0.8S