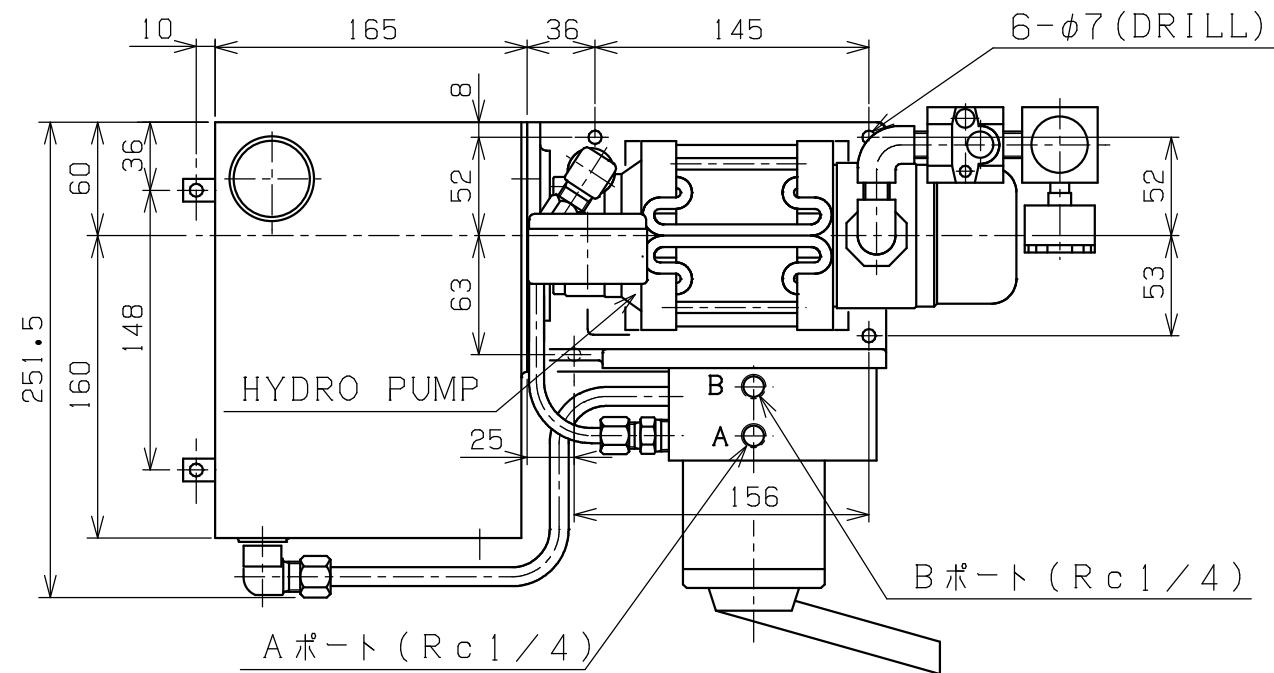
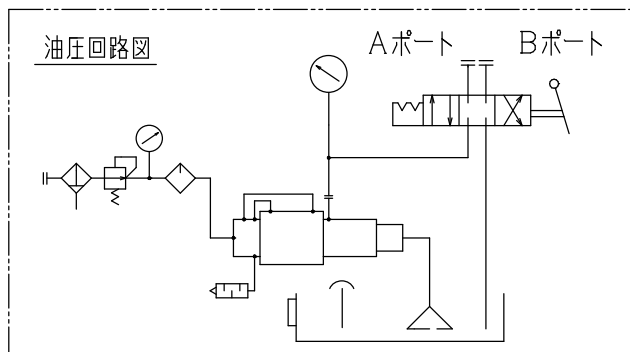
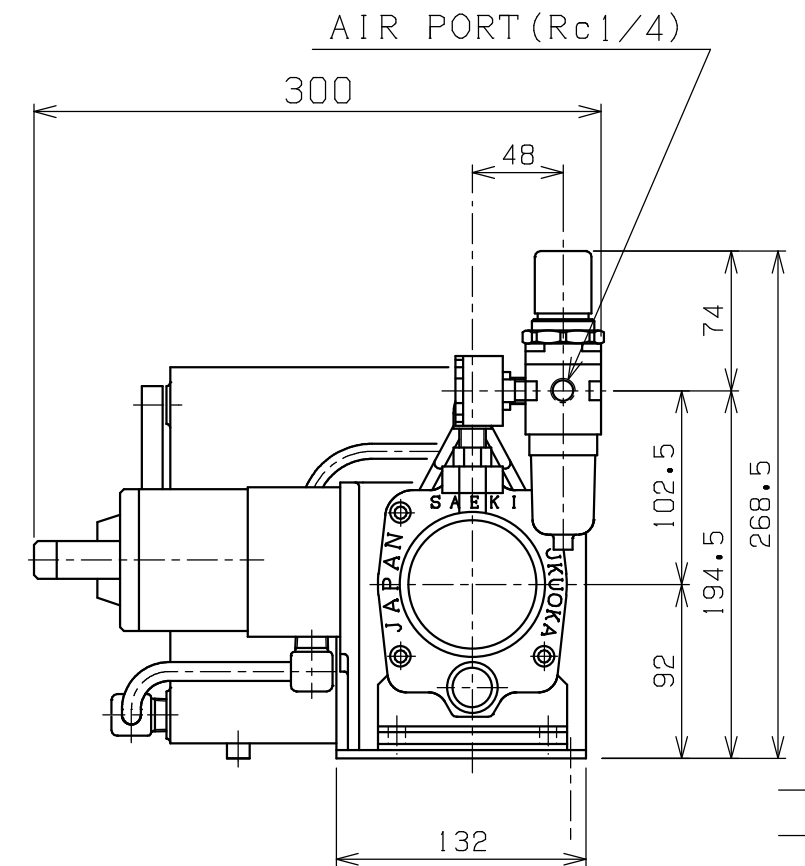
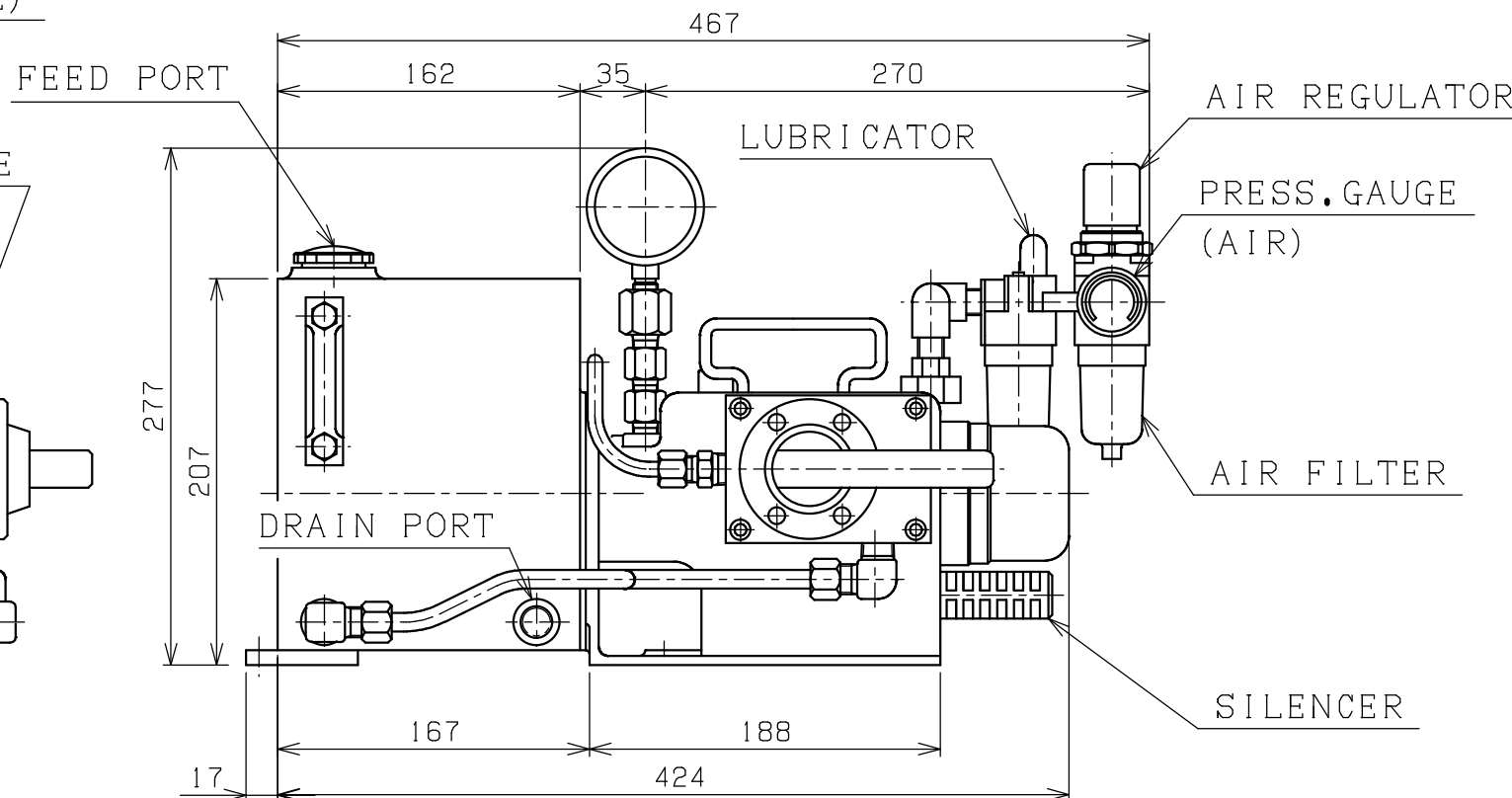
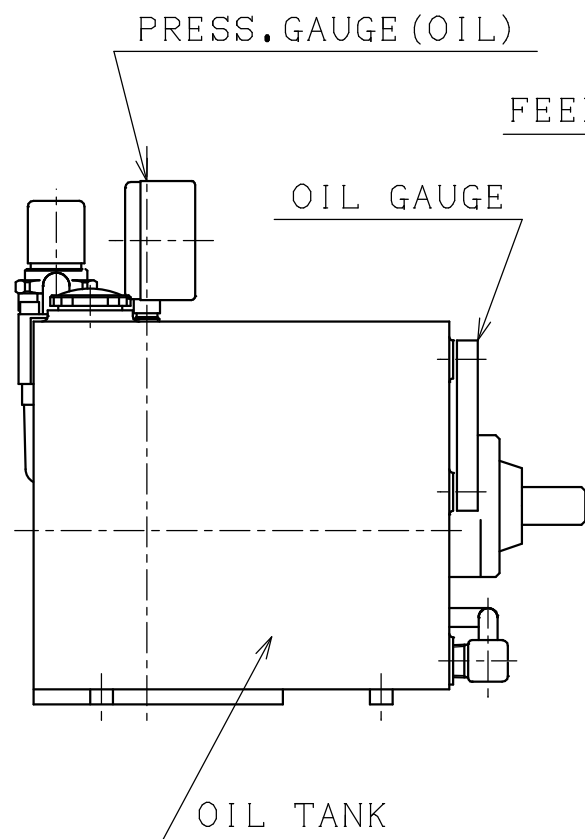


A3-1338D



SPECIFICATION				
TYPE	10-V5L	24-V5L	50-V5L	100-V5L
INCREASING RATIO	1:10	1:24	1:50	1:100
MAX. PRESSURE (OIL)	8MPa	19MPa	40MPa	70MPa
MAX. PRESSURE (AIR)	0.8MPa (8.0kgf/cm ²)			
AIR CAPACITY	2m ³ /min.			
WORKING FLUID	ISO VG22~46			
TANK CAPACITY	MAX.=5.0L EFFECTIVE=4.0L			
WEIGHT (APPROX)	17kgG			



PLAN RECORD	基本仕上	MARK	PARTICULAR	QUAN	MATERIAL	SIZE	WEIGHT	REMARK
	寸法許容差	C H I E F		MHPU※-V5L				
	区分許容差	H E A D						
	1~4 ±0.1	CHECKED BY		DRAWING NO. A3-1338D				
	5~16 ±0.2	DRAWN BY K.サエキ						
	17~63 ±0.3	DATE DRAWN		SAEKI ENGINEERING Co., LTD.				
	64~250 ±0.5	SCALE 1/4						
	250~1000 ±0.8							

記号
400S
100S
25S
6.3S
0.8S