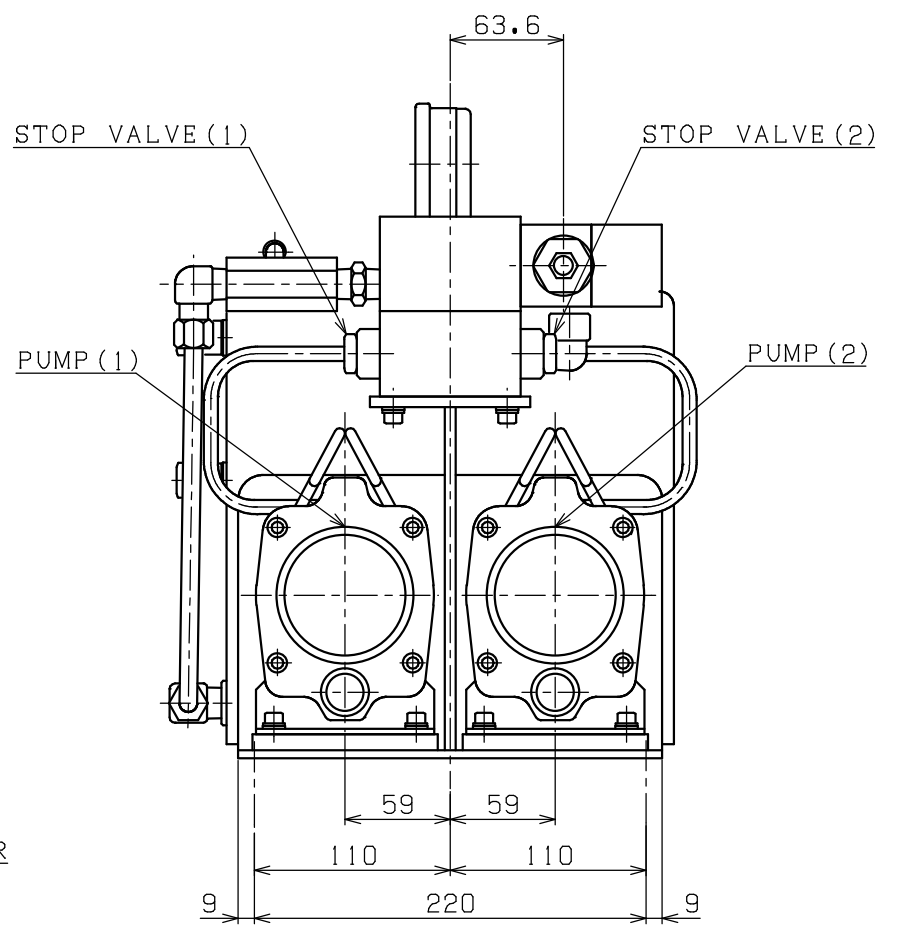
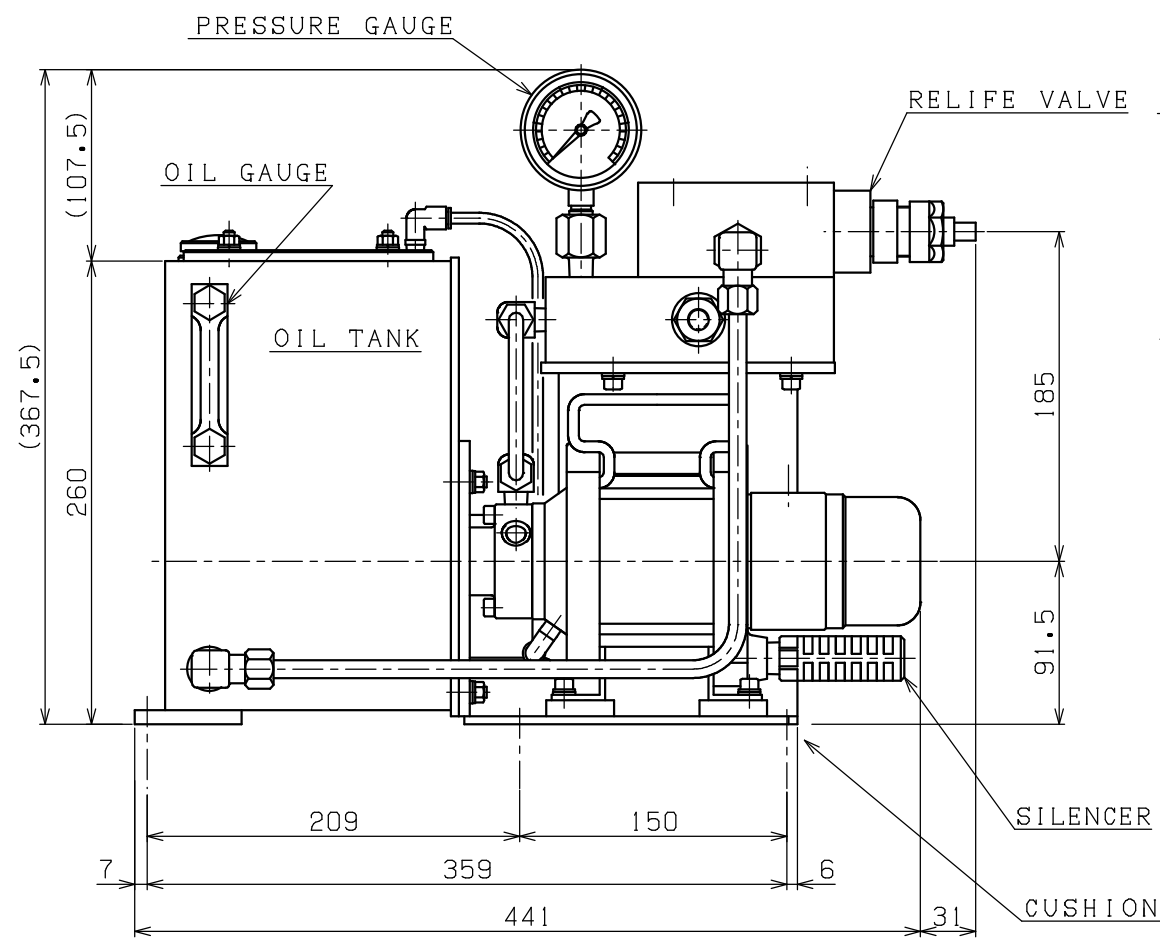
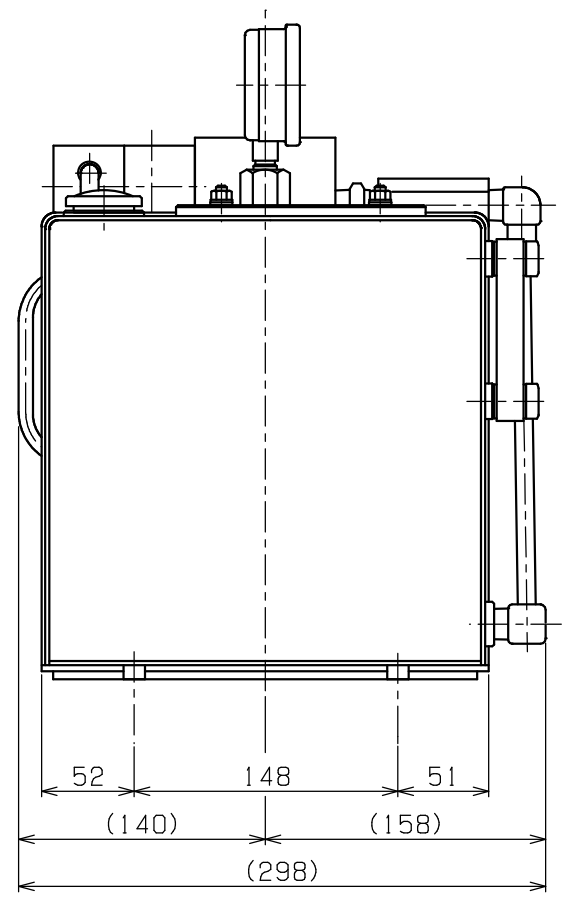


SPECIFICATION	
MAX.PRESS.(HYDRO)	18.6MPa (190kgf/cm ²)
MAX.PRESS.(AIR)	0.8MPa (8.0kgf/cm ²)
AIR CONSUMPTION	2m ³ /min.
INCREASING RATIO	1:24
DISCHARGE	PERFORMANCE CURVE
PRESSURE	0.35MPa (T-PORT CHECK)
WORKING FLUID	ISO VG15~46
TANK CAPACITY	MAX.=8.0L EFFECTIVE=6.0L
WEIGHT	32kgG (EXCEPT OIL)



PLAN RECORD	基本仕上	MARK	PARTICULAR	QUAN	MATERIAL	SIZE	WEIGHT	REMARK
	寸法許容差	CHIEF						
	区分許容差	HEAD						
	1~4 ±0.1	CHECKED BY						
	5~16 ±0.2	DRAWN BY						
	17~63 ±0.3	DATE DRAWN						
	64~250 ±0.5	SCALE	1/3					
	250~1000 ±0.8							

MHPU2424-R8LC		DRAWING NO.	A2-0411B
HYDRO PUMP UNIT			
SAEKI ENGINEERING Co., LTD.			

記号
400S
100S
255
6.38
0.85