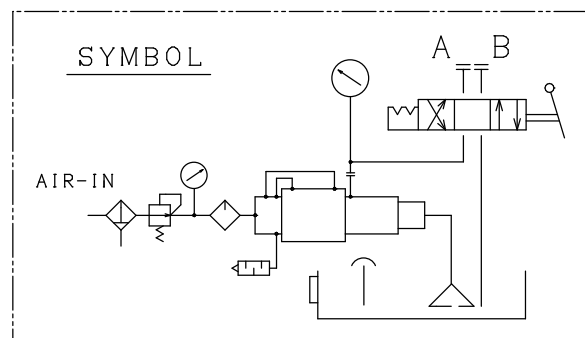
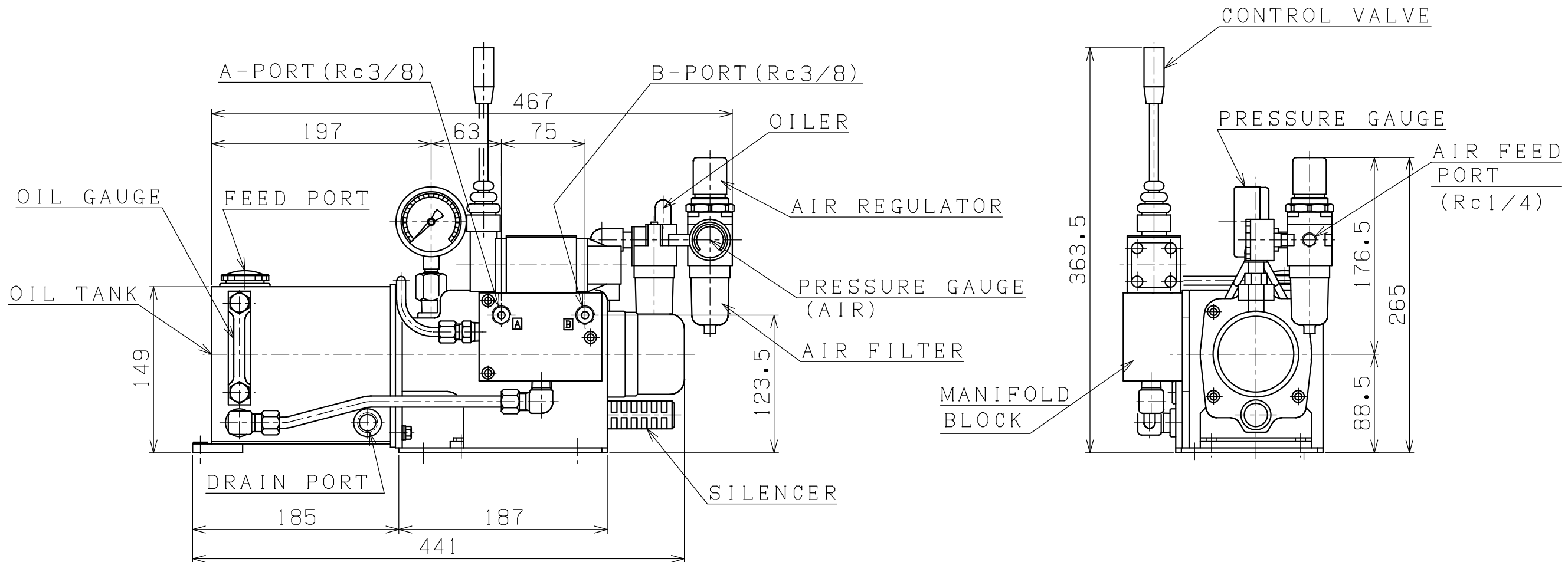


| SPECIFICATION | |
|---------------------|-----------------------------------|
| MAX. PRESSURE (OIL) | 19 MPa (190kgf/cm ²) |
| MAX. PRESSURE (AIR) | 0.8 MPa (8.0kgf/cm ²) |
| AIR CAPACITY | 1.2 m ³ /min. |
| INCREASING RATIO | 1:24 |
| DISCHARGE | HYDRO PUMP PERF. CURVE |
| WORKING FLUID | ISO VG15~46 |
| TANK CAPACITY | MAX.=2.4L EFFECTIVE=1.5L |
| WEIGHT (APPROX) | 14 kg G |



| PLAN RECORD | 基本仕上 | MARK | PARTICULAR | QUAN | MATERIAL | SIZE | WEIGHT | REMARK |
|-------------|---------------|------------|------------|------|---|------|--------|--------|
| | 寸法許容差 | C H I E F | | | M H P U 2 4 - V 2 L | | | |
| | 区分許容差 | H E A D | | | H Y D R O P U M P U N I T | | | |
| | 1 ~ 4 ±0.1 | CHECKED BY | | | D R A W I N G N O . A 3 - 1 5 8 5 D | | | |
| | 5 ~ 16 ±0.2 | DRAWN BY | | | | | | |
| | 17 ~ 63 ±0.3 | DATE DRAWN | | | | | | |
| | 64 ~ 250 ±0.5 | SCALE 1/4 | | | S A E K I E N G I N E E R I N G C o . , L T D . | | | |
| | 250~1000 ±0.8 | | | | | | | |

記号
4005
1005
255
6.3S
0.8S