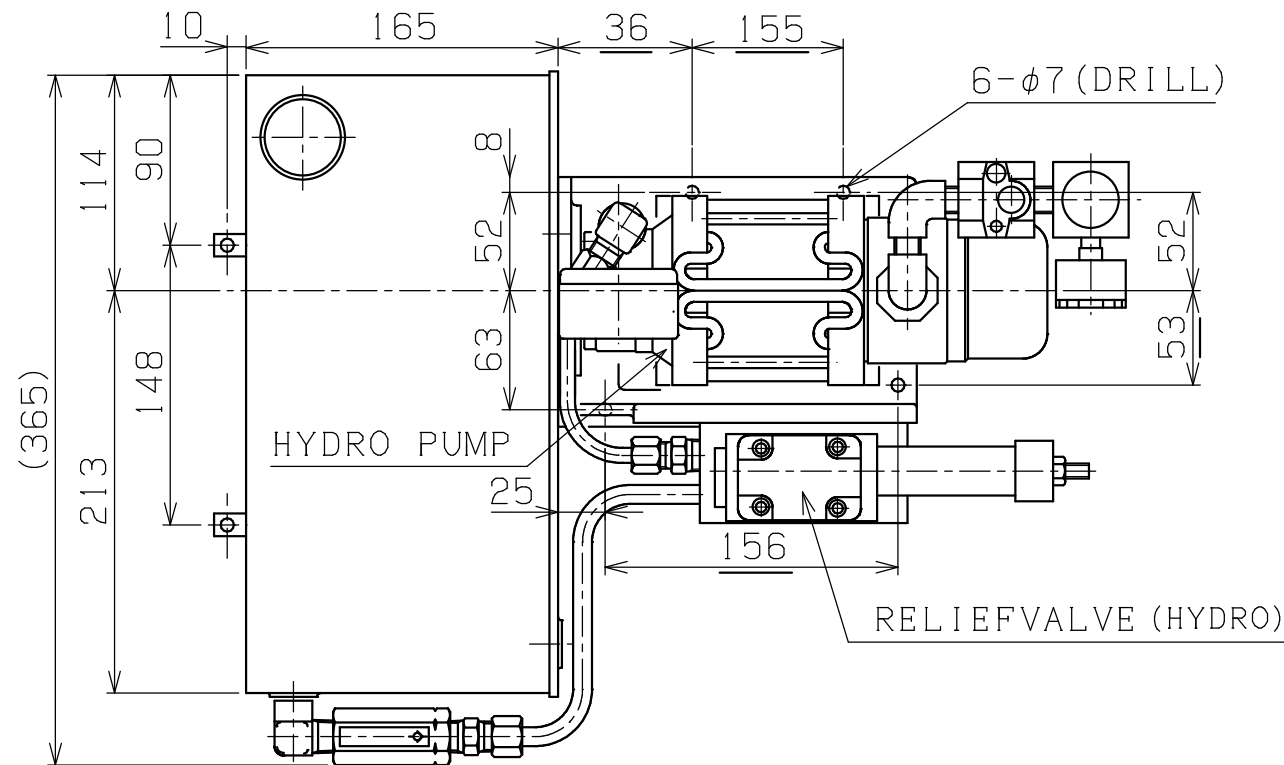
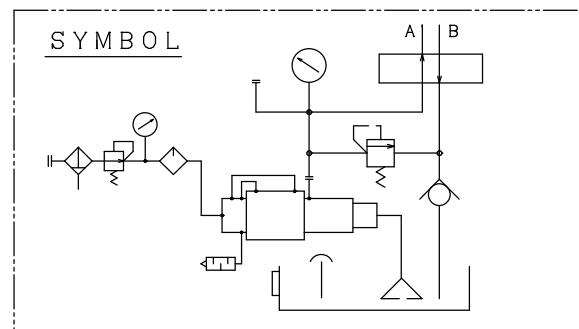
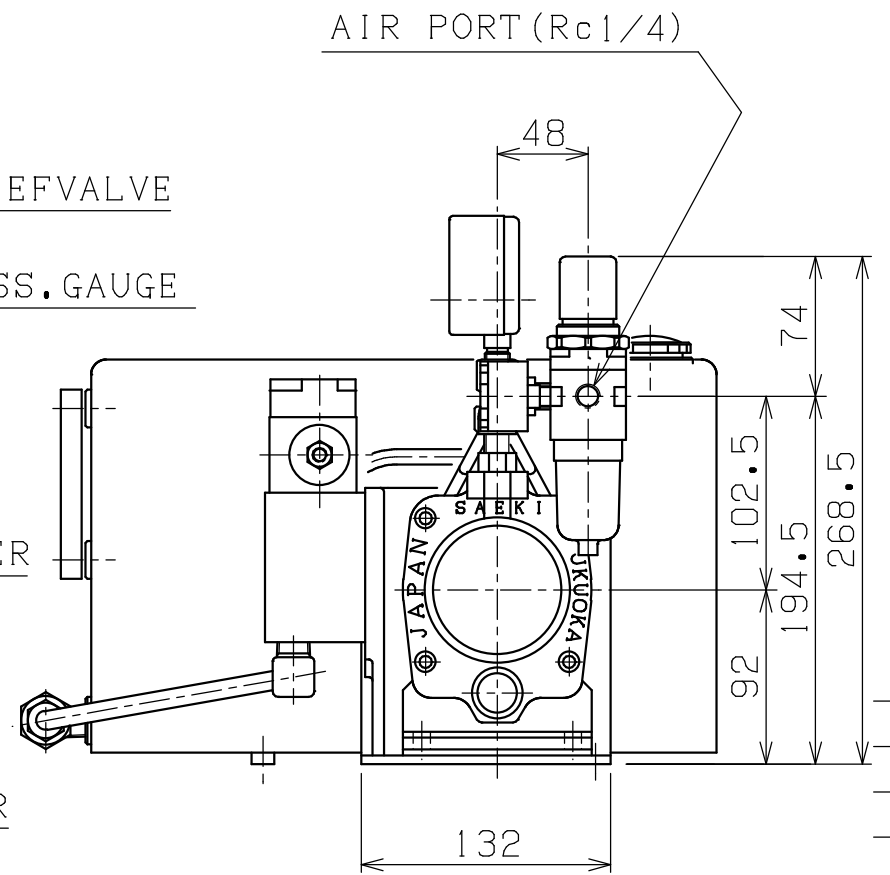
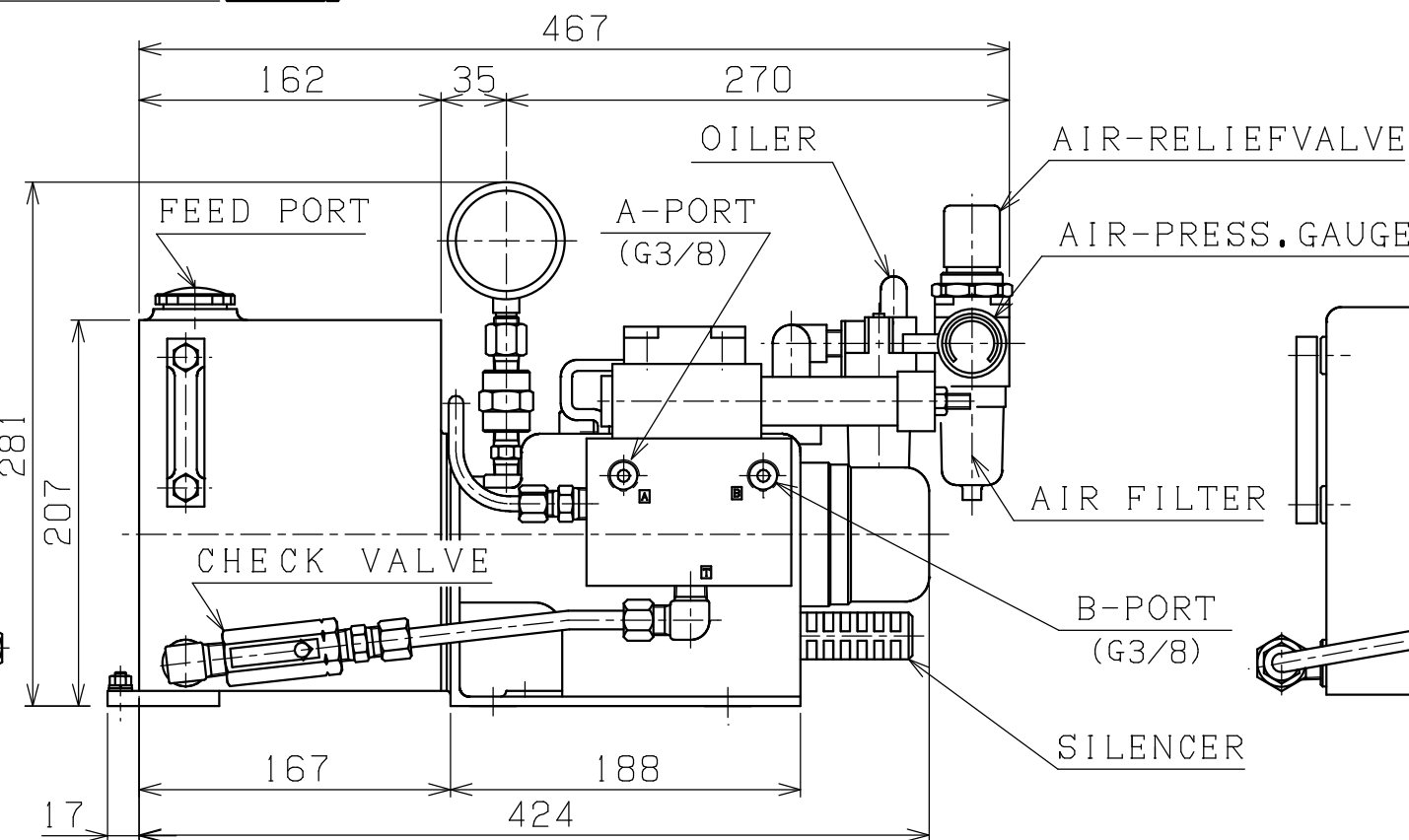
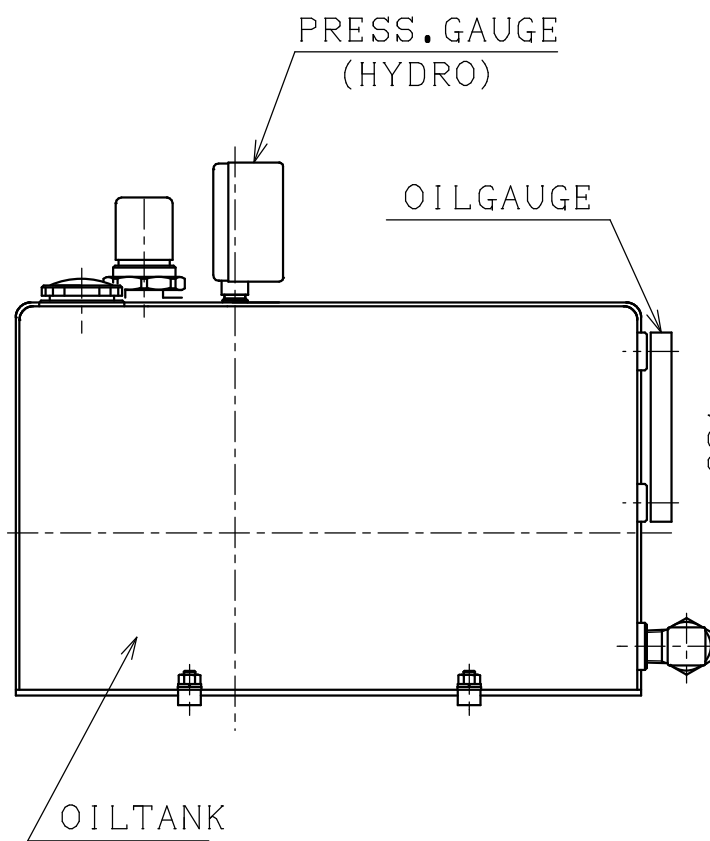


A3-1381R



SPECIFICATION	
MAX.PRESS.(HYDRO)	18.6MPa (190kgf/cm <sup>2</sup> )
MAX.PRESS.(AIR)	0.8MPa (8.0kgf/cm <sup>2</sup> )
AIR CONSUMPTION	2m <sup>3</sup> /min.
INCREASING RATIO	1:24
DISCHARGE	PERFORMANCE CURVE
BACK PRESSURE	0.35MPa (T-PORT CHECK)
WORKING FLUID	ISO VG22~46
TANK CAPACITY	MAX.=8.0L EFFECTIVE=6.0L
WEIGHT (ABOUT)	25kg



PLAN RECORD	基本仕上	MARK	PARTICULAR	QUAN	MATERIAL	SIZE	WEIGHT	REMARK
	寸法許容差	C H I E F		MHPU24-R8LC				
	区分許容差	H E A D		HYDRO PUMP UNIT				
	1 ~ 4 ±0.1	CHECKED BY		DRAWING NO. A3-1381R				
	5 ~ 16 ±0.2	DRAWN BY K.サエキ						
	17 ~ 63 ±0.3	DATE DRAWN						
	64 ~ 250 ±0.5	SCALE 1/4		SAEKI ENGINEERING Co., LTD.				
	250~1000 ±0.8							

記号  
4005  
1005  
255  
6.35  
0.85