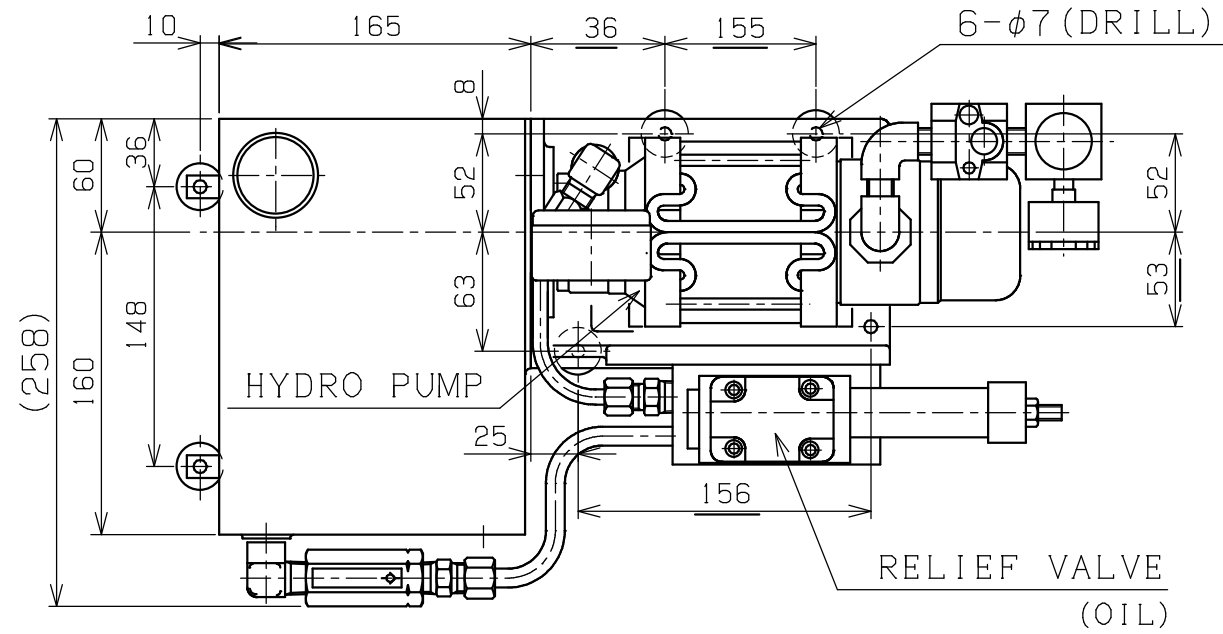
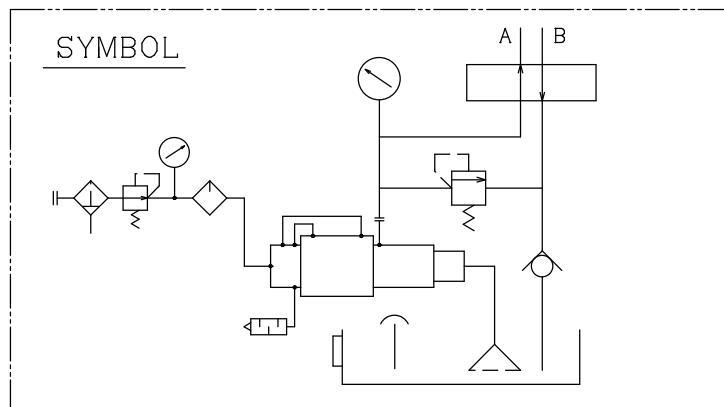
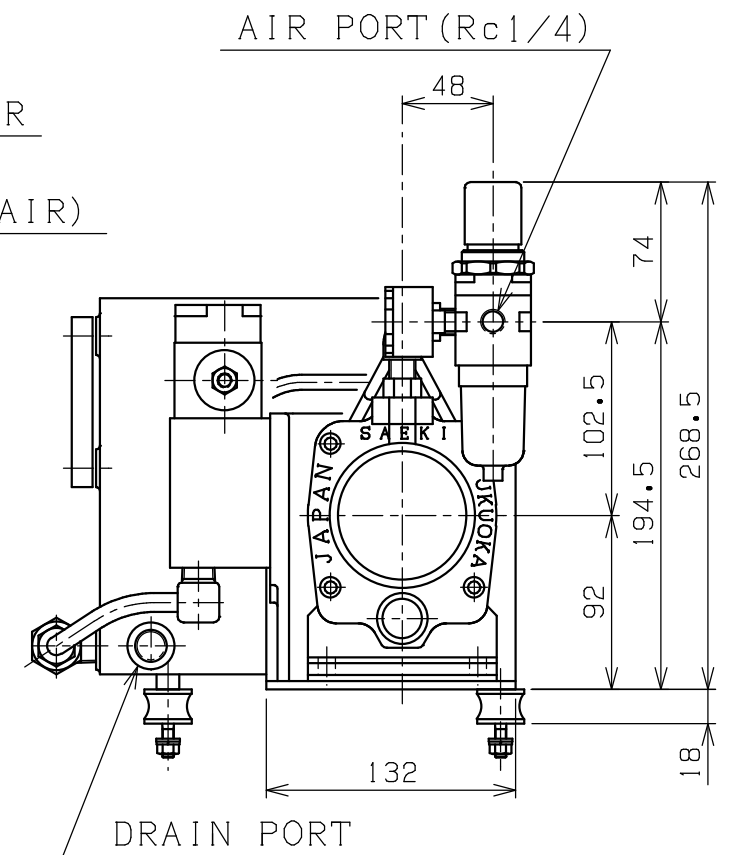
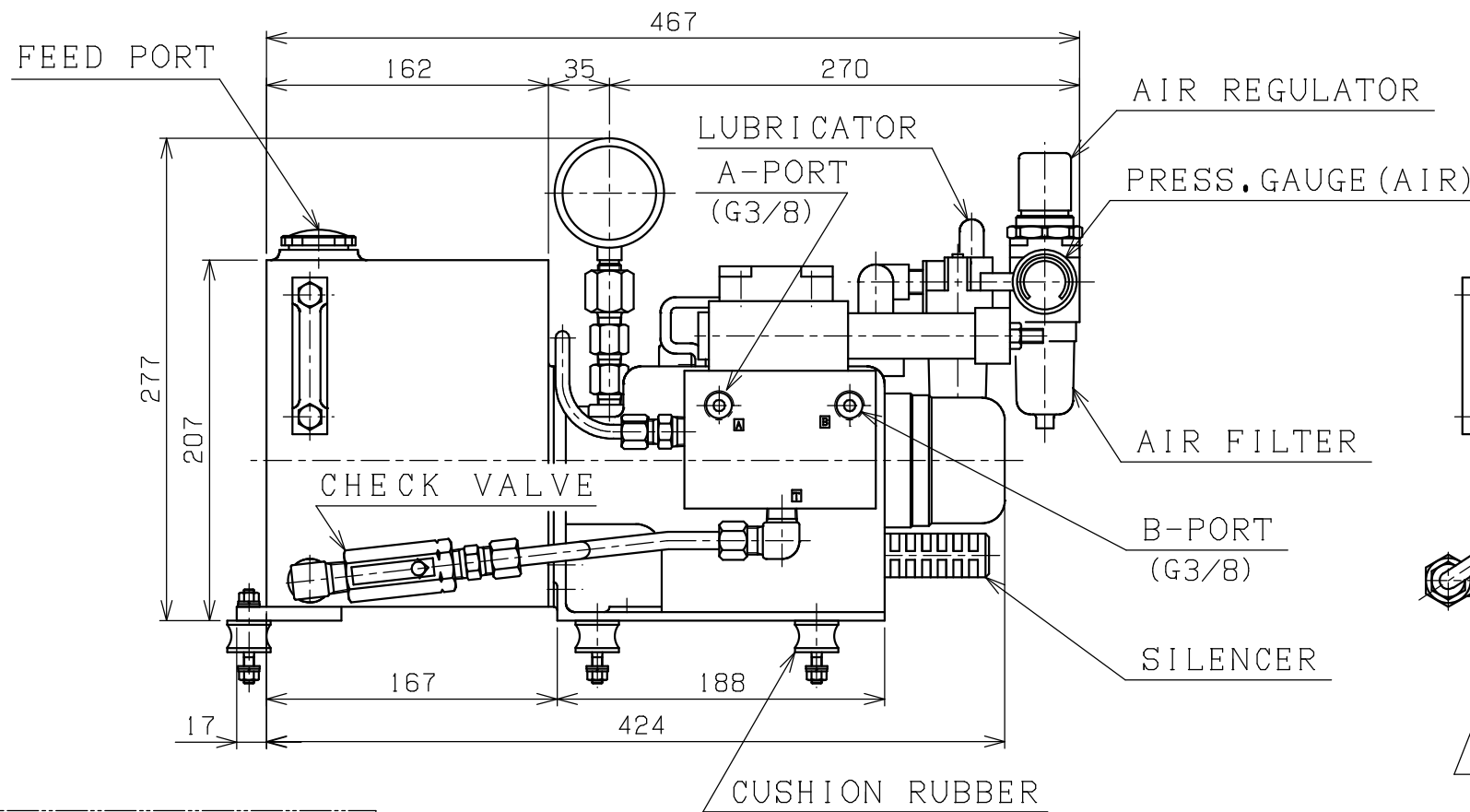
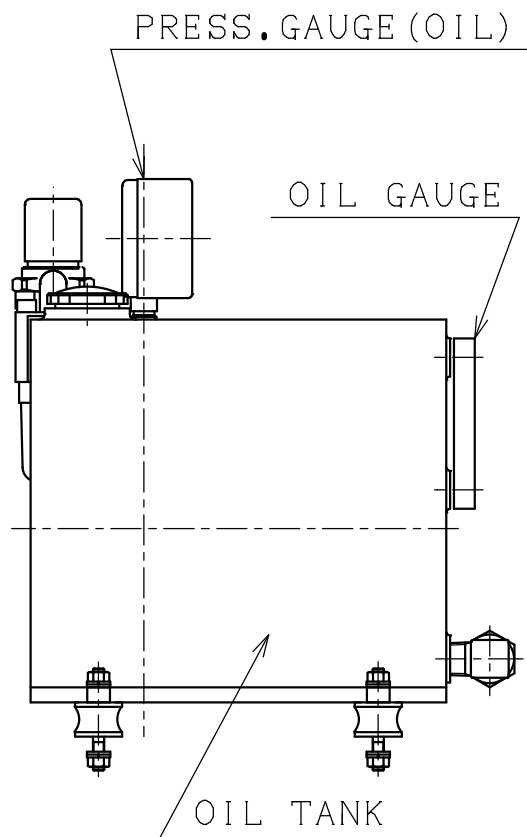


S 1 3 8 1 - E V



SPECIFICATION	
MAX. PRESSURE (OIL)	18.6 MPa (190kgf/cm ²)
MAX. PRESSURE (AIR)	0.8 MPa (8.0kgf/cm ²)
AIR CAPACITY	2 m ³ / min.
INCREASING RATIO	1 : 24
DISCHARGE	HYDRO PUMP PERF. CURVE
BACK PRESSURE	0.35 MPa (T-PORT CHECK)
WORKING FLUID	ISO VG15~46
TANK CAPACITY	MAX.=5.0L EFFECTIVE=4.0L
WEIGHT (APPROX)	17 kg G



PLAN RECORD	基本仕上	MARK	PARTICULAR	QUAN	MATERIAL	SIZE	WEIGHT	REMARK
△ 取付穴変更 H15年3月								
	寸法許容差	C H I E F			M H P U 2 4 - R 5 L C			
	区分許容差	H E A D			H Y D R O P U M P U N I T			
	1 ~ 4 ±0.1	CHECKED BY			DRAWING NO. A 3 - 1 3 8 1 S			
	5 ~ 16 ±0.2	DRAWN BY K.サエキ						
	17 ~ 63 ±0.3	DATE DRAWN			S A E K I E N G I N E E R I N G C o . , L T D .			
	64 ~ 250 ±0.5	SCALE 1/4						
	250~1000 ±0.8							

記号
400S
100S
25S
6.3S
0.8S