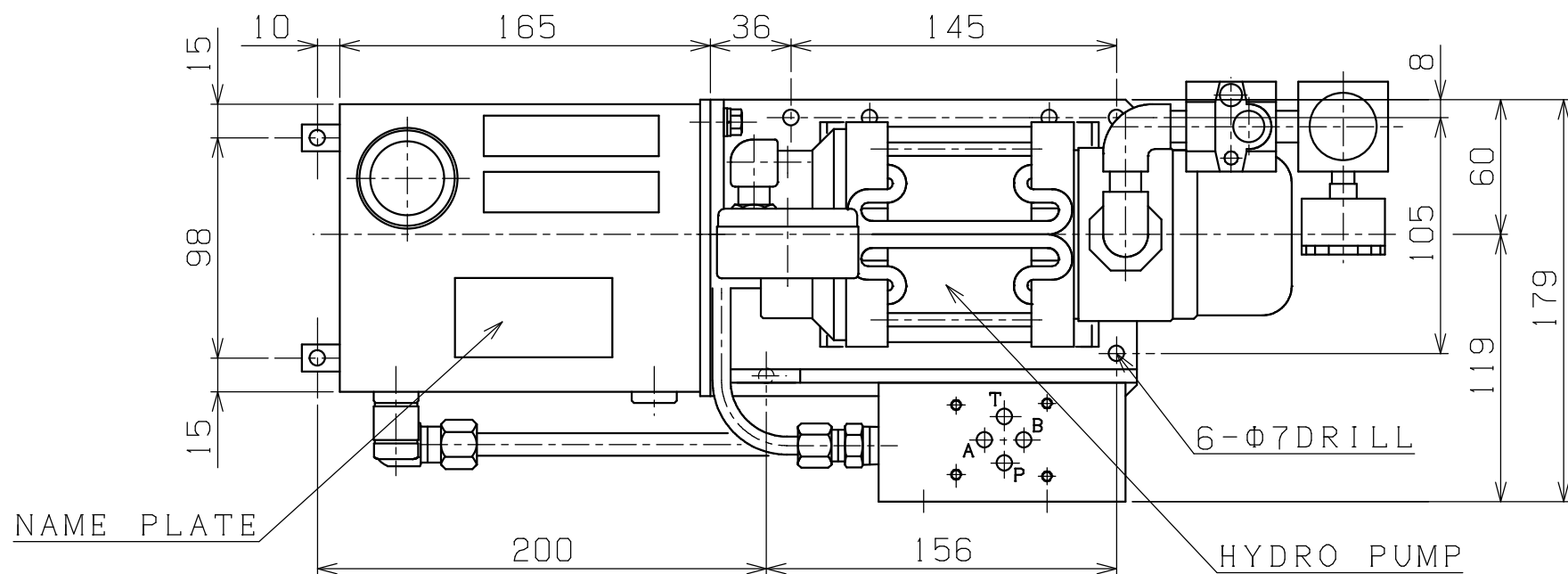
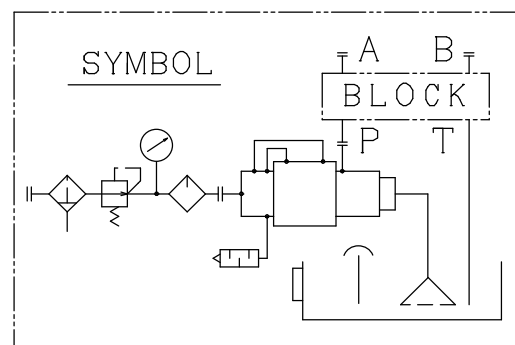
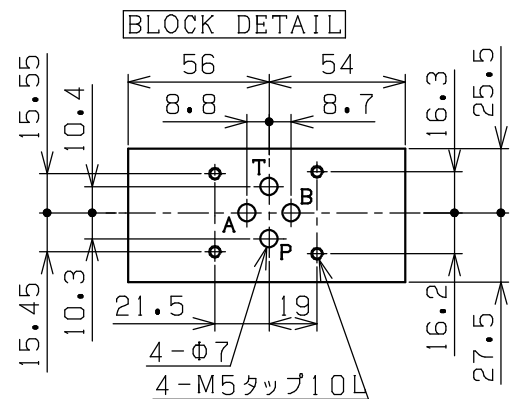
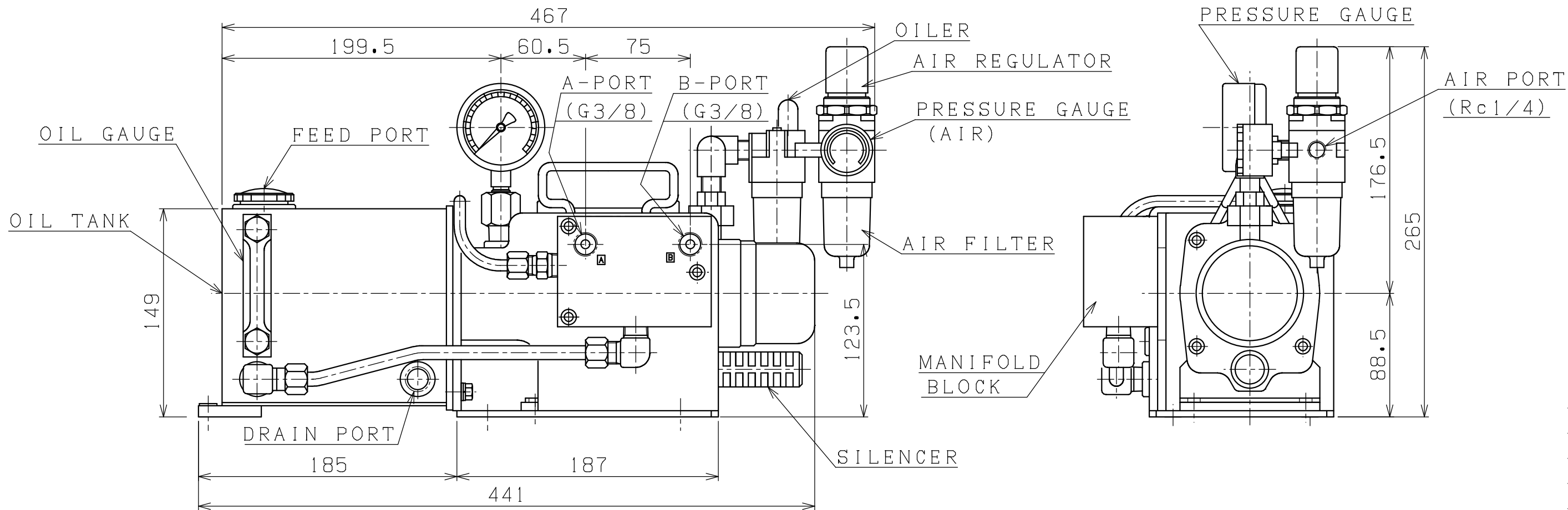


A3-1585A



SPECIFICATION	
MAX. PRESSURE (OIL)	19 MPa (190kgf/cm ²)
MAX. PRESSURE (AIR)	0.8 MPa (8.0kgf/cm ²)
AIR CAPACITY	1.2 m ³ /min.
INCREASING RATIO	1:24
DISCHARGE	HYDRO PUMP PERF. CURVE
WORKING FLUID	ISO VG15~46
TANK CAPACITY	MAX.=2.4L EFFECTIVE=1.5L
WEIGHT (APPROX)	14 kg G



PLAN RECORD	基本仕上	MARK	PARTICULAR	QUAN	MATERIAL	SIZE	WEIGHT	REMARK
	寸法許容差	C H I E F			MHPU24-N2L HYDRO PUMP UNIT			
	区分許容差	H E A D						
	1 ~ 4 ±0.1	CHECKED BY			DRAWING NO. A3-1585A			
	5 ~ 16 ±0.2	DRAWN BY						
	17 ~ 63 ±0.3	DATE DRAWN			SAEKI ENGINEERING Co., LTD.			
	64 ~ 250 ±0.5	SCALE 1/3						
	250~1000 ±0.8							

記号
400S
100S
25S
6.3S
0.8S