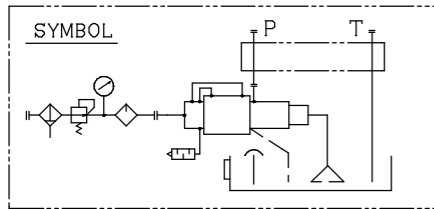
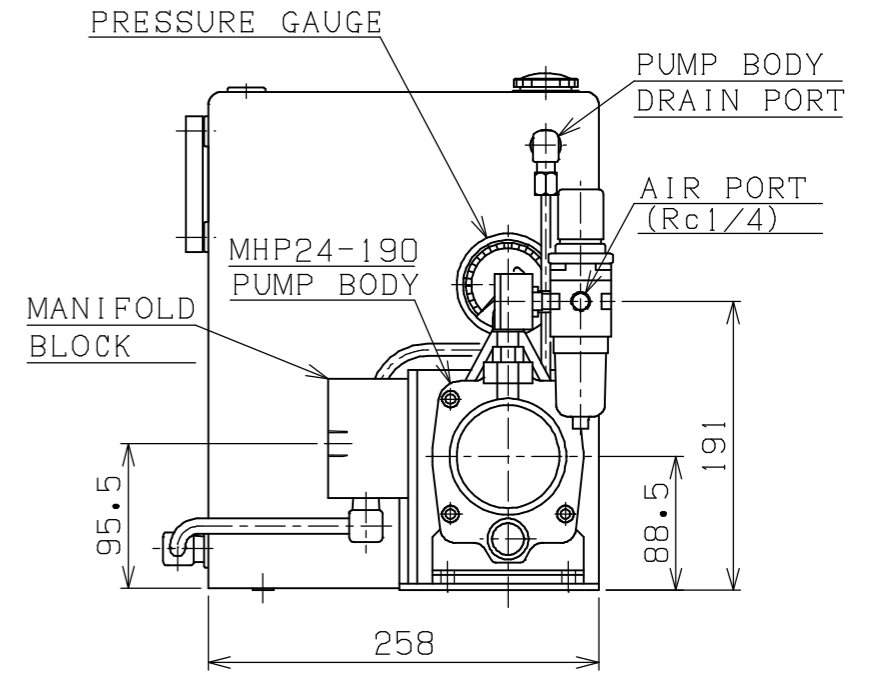
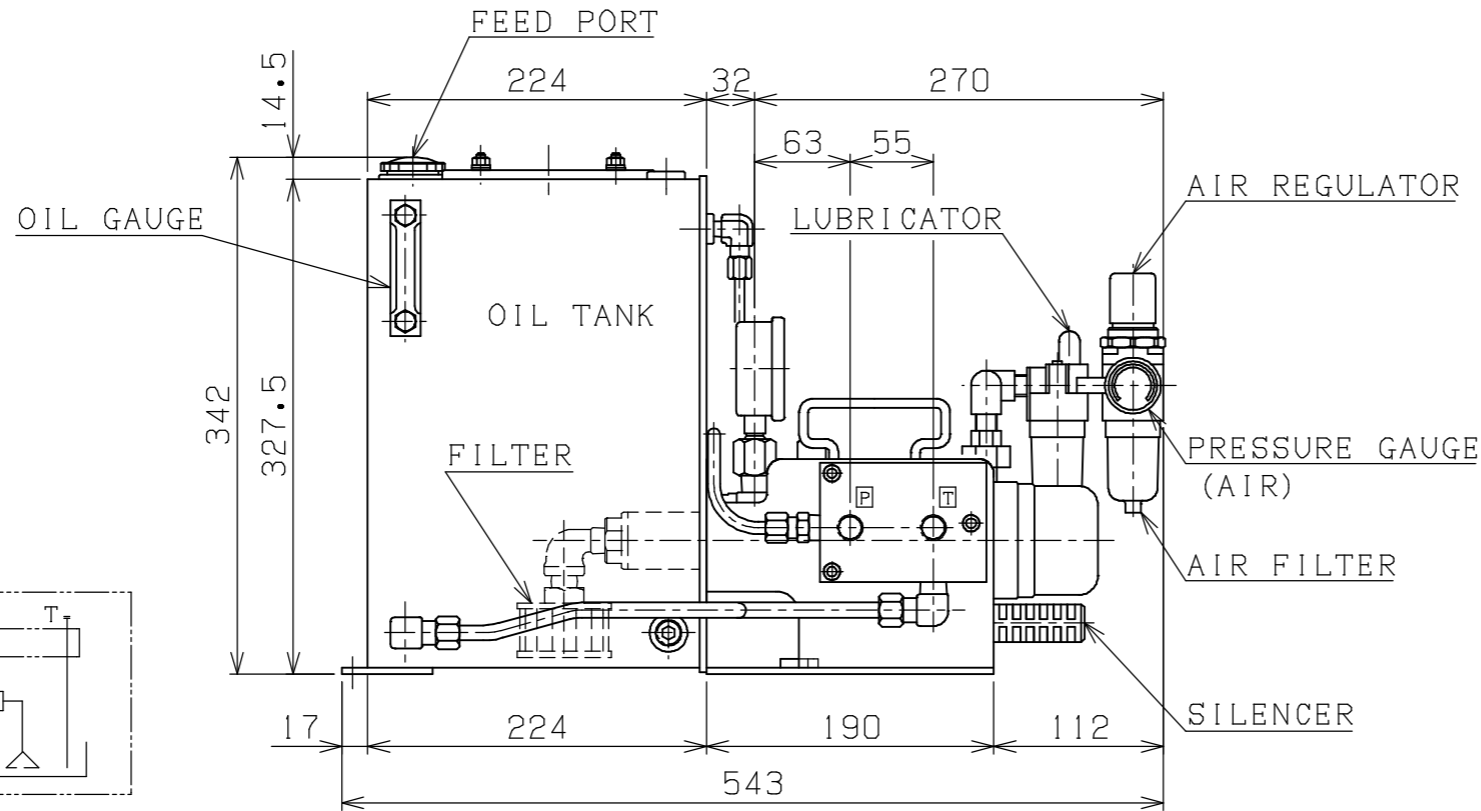
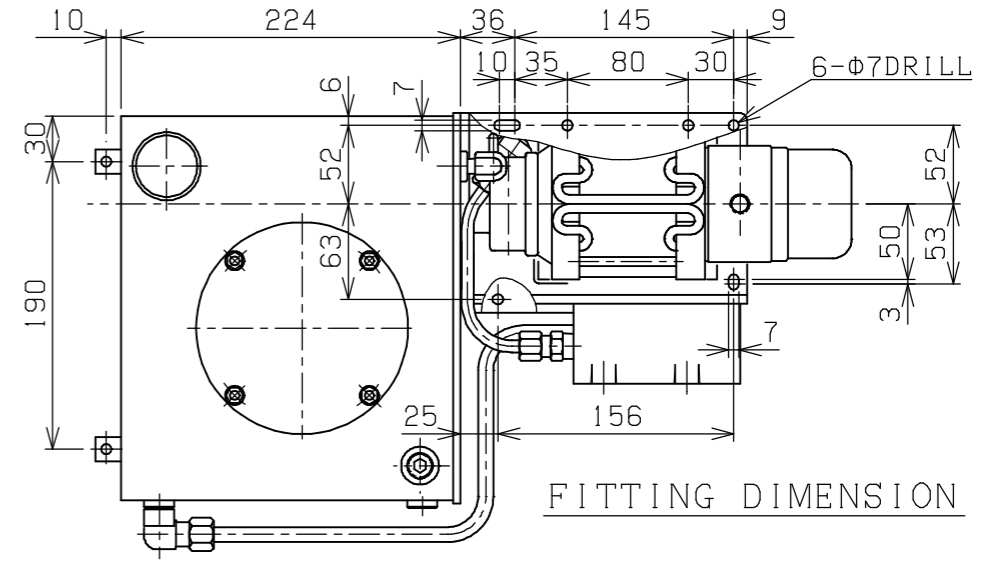
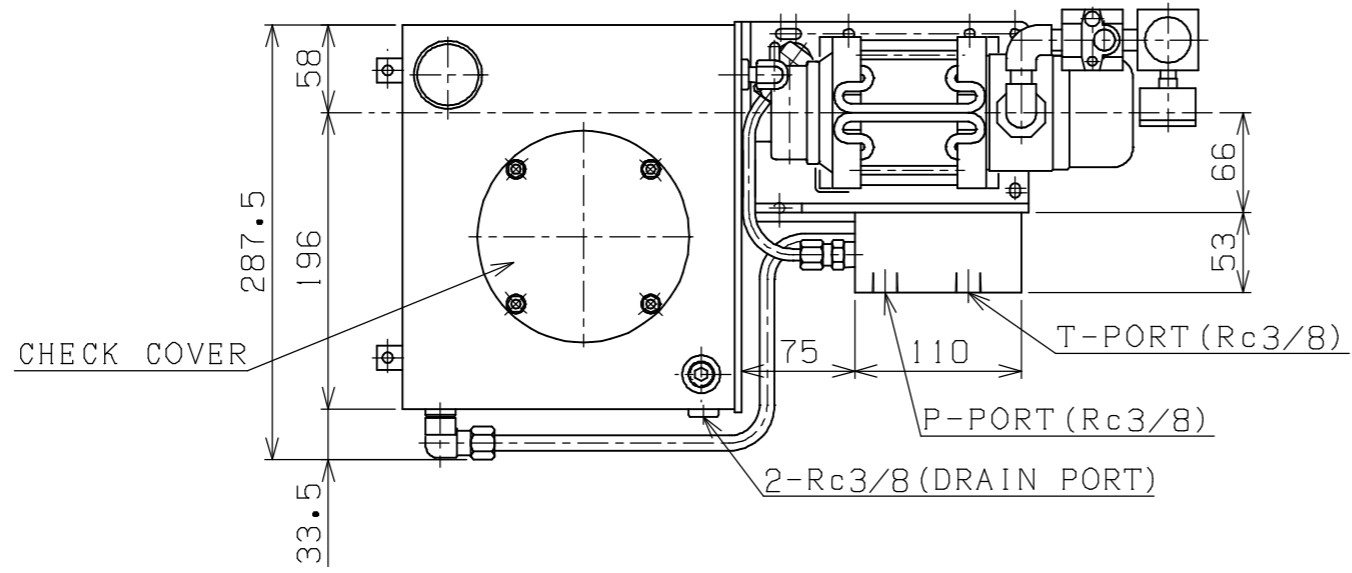


A3-1338J



SPECIFICATION	
MAX. PRESSURE (OIL)	19.0MPa
MAX. PRESSURE (AIR)	0.8MPa
AIR CAPACITY	2m ³ /min. (MAX,)
INCREASING RATIO	1:24
DISCHARGE	HYDRO PUMP PERF. CURVE
WORKING FLUID	ISO VG22~46
TANK CAPACITY	MAX.=17L EFFECTIVE=13L
WEIGHT (APPROX)	22kg

PLAN RECORD		基本仕上	MARK	PARTICULAR	QUAN	MATERIAL	SIZE	WEIGHT	REMARK
		寸法許容差	C H I E F		MHPU24-N13L-F				
		区分許容差	H I E A D		HYDRO PUMP UNIT				
		1 ~ 4	±0.1		DRAWING NO.		A3-1338J		
		5 ~ 16	±0.2		SAEKI ENGINEERING Co., LTD.				
		17 ~ 63	±0.3						
		64 ~ 250	±0.5						
		250~1000	±0.8						

記号
400S
100S
25S
6.3S
0.8S