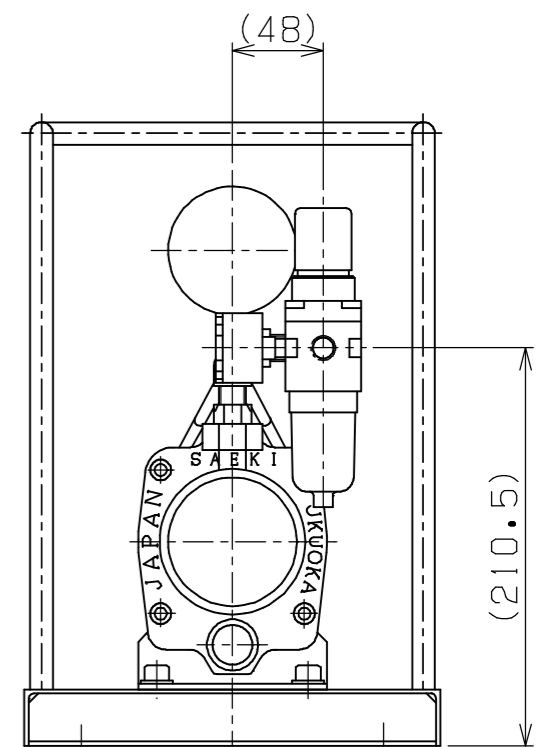
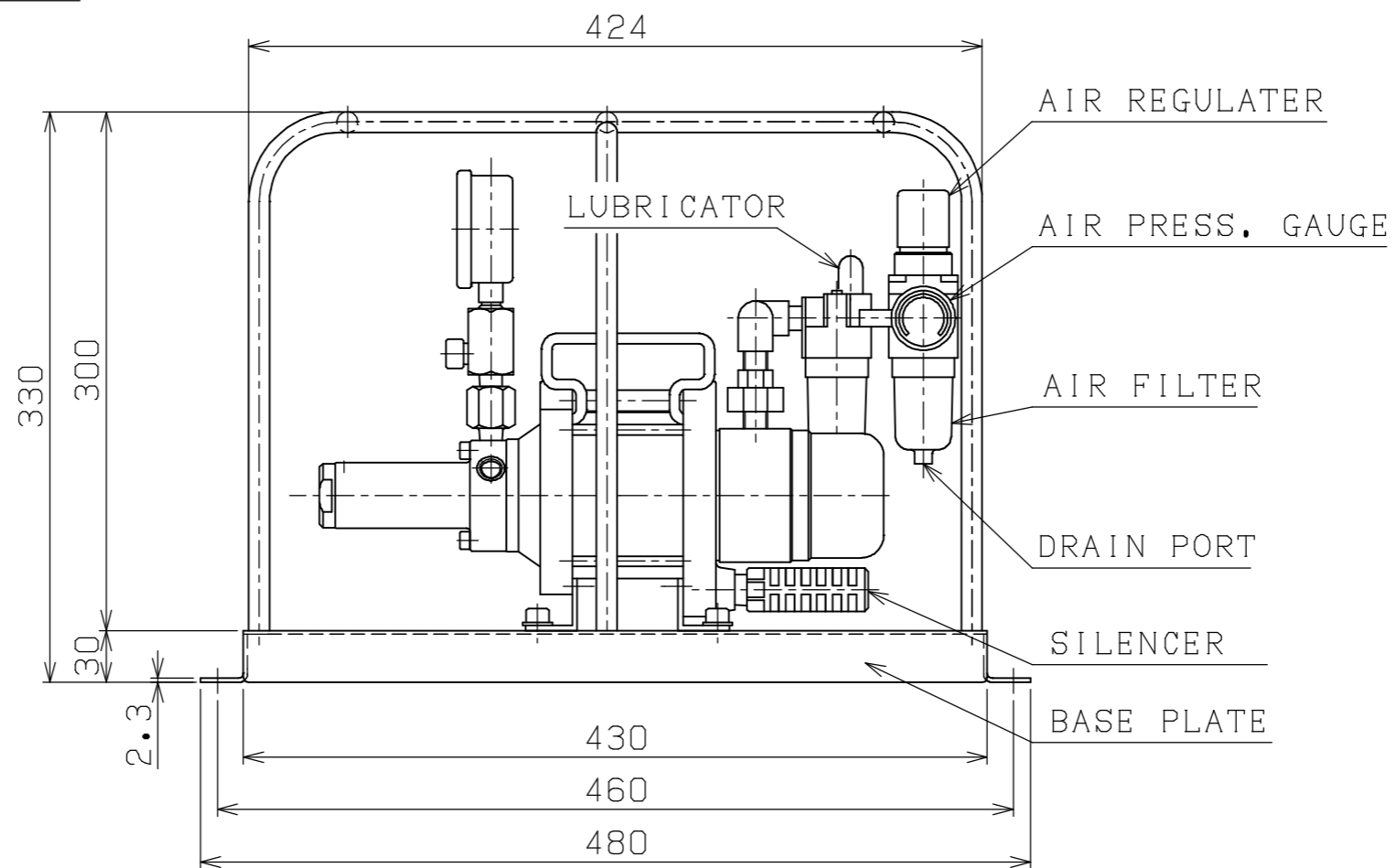
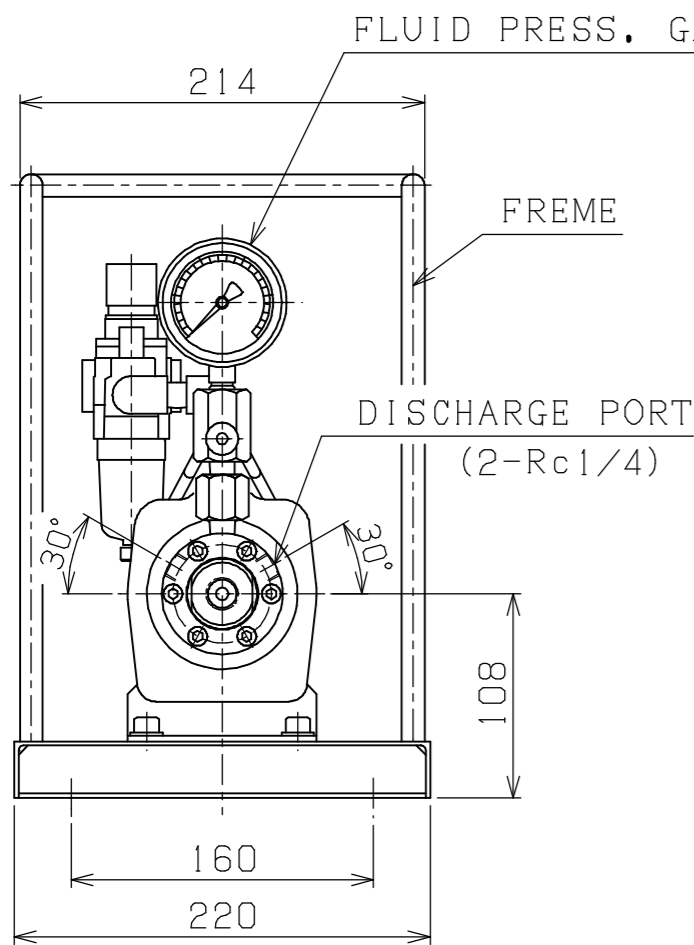
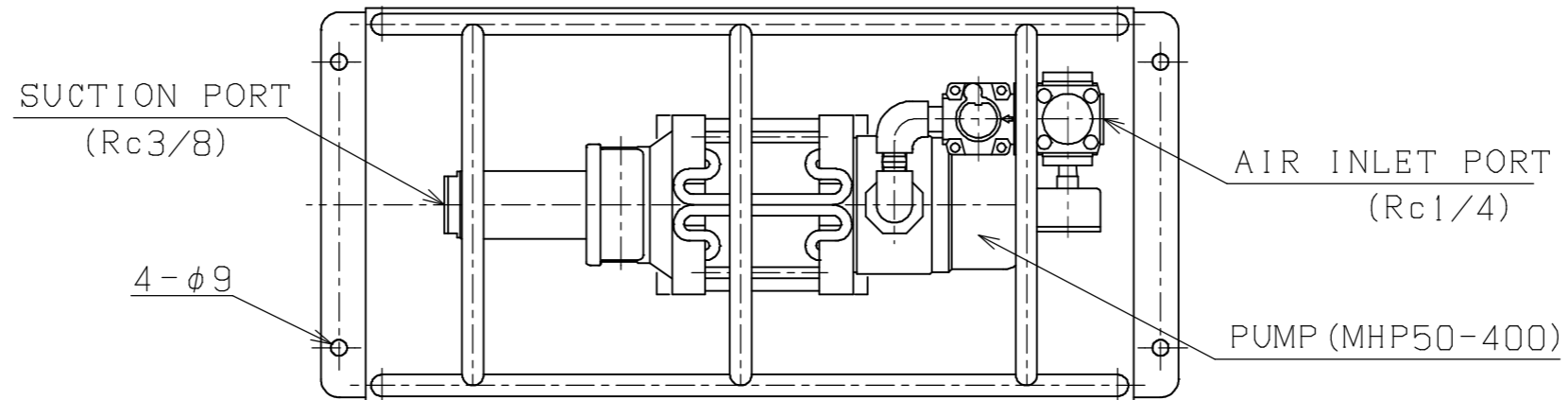


A 3 - 1 3 8 3 C



G 2 - 1 · MHP 本体 · 外觀 · MHP 50

SPECIFICATION	
MODEL	MHP50-400
INTENSIFYING RATIO	1:50
AIR CONSUMPTION	1.2 (m ³ /min)
MAX. PRESSURE	40MPa
WEIGHT	9.0kgG

PLAN RECORD	基本仕上	MARK	PARTICULAR	QUAN	MATERIAL	SIZE	WEIGHT	REMARK
	寸法許容差	C H I E F			MHP50-400 (FRAME) HYDRO PUMP			
	区分許容差	H E A D						
	1 ~ 4 ±0.1	CHECKED BY			DRAWING NO.	A 3 - 1 3 8 3 C		
	5 ~ 16 ±0.2	DRAWN BY <i>K. Sasaki</i>						
	17 ~ 63 ±0.3	DATE DRAWN						
	64 ~ 250 ±0.5	SCALE 1/4			SAEKI ENGINEERING Co., LTD.			
	250~1000 ±0.8							

記号
400S
100S
25S
6.3S
0.8S