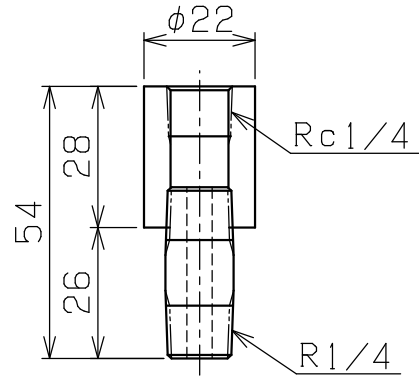


A3-0168C



JOINT ADAPTER  
for PH-PORT

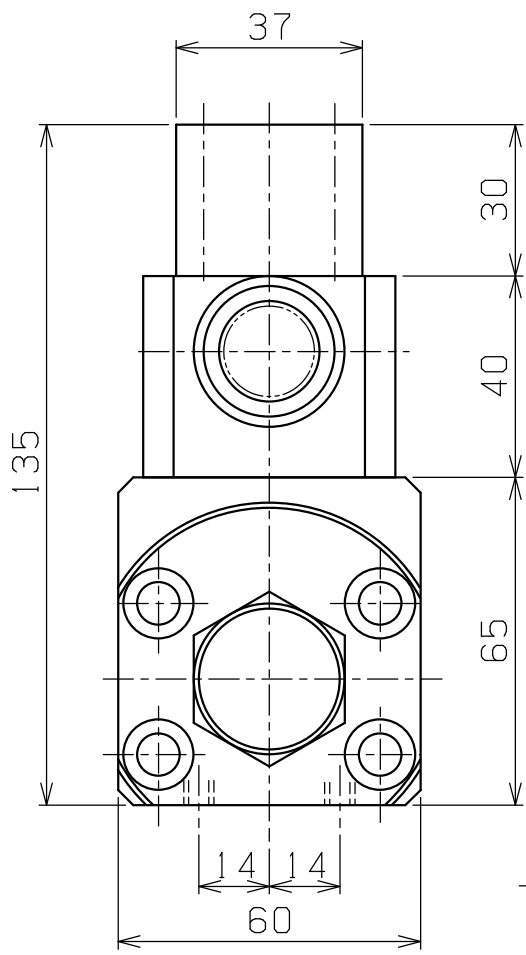
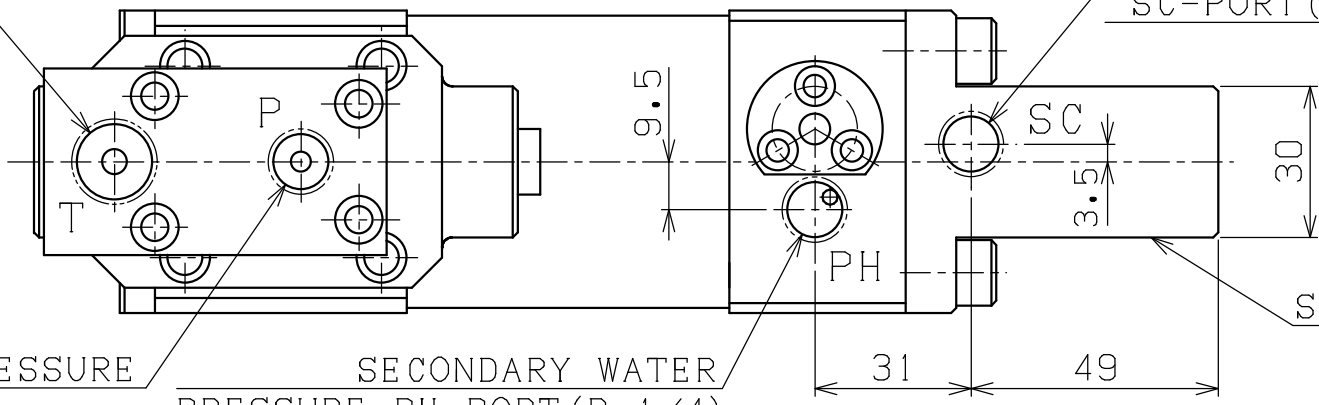
PRIMARY OIL PRESSURE  
T-PORT (Rc3/8)

WATER SUCTION  
SC-PORT (Rc1/4)

PRIMARY OIL PRESSURE  
P-PORT (Rc1/4)

SECONDARY WATER  
PRESSURE PH-PORT (Rc1/4)

SECONDARY CYLINDER



JOINT BLOCK

AUTOMATIC VALVE

PRIMARY CYLINDER

WATER FLOW  
CONTROL VALVE

SAEKI

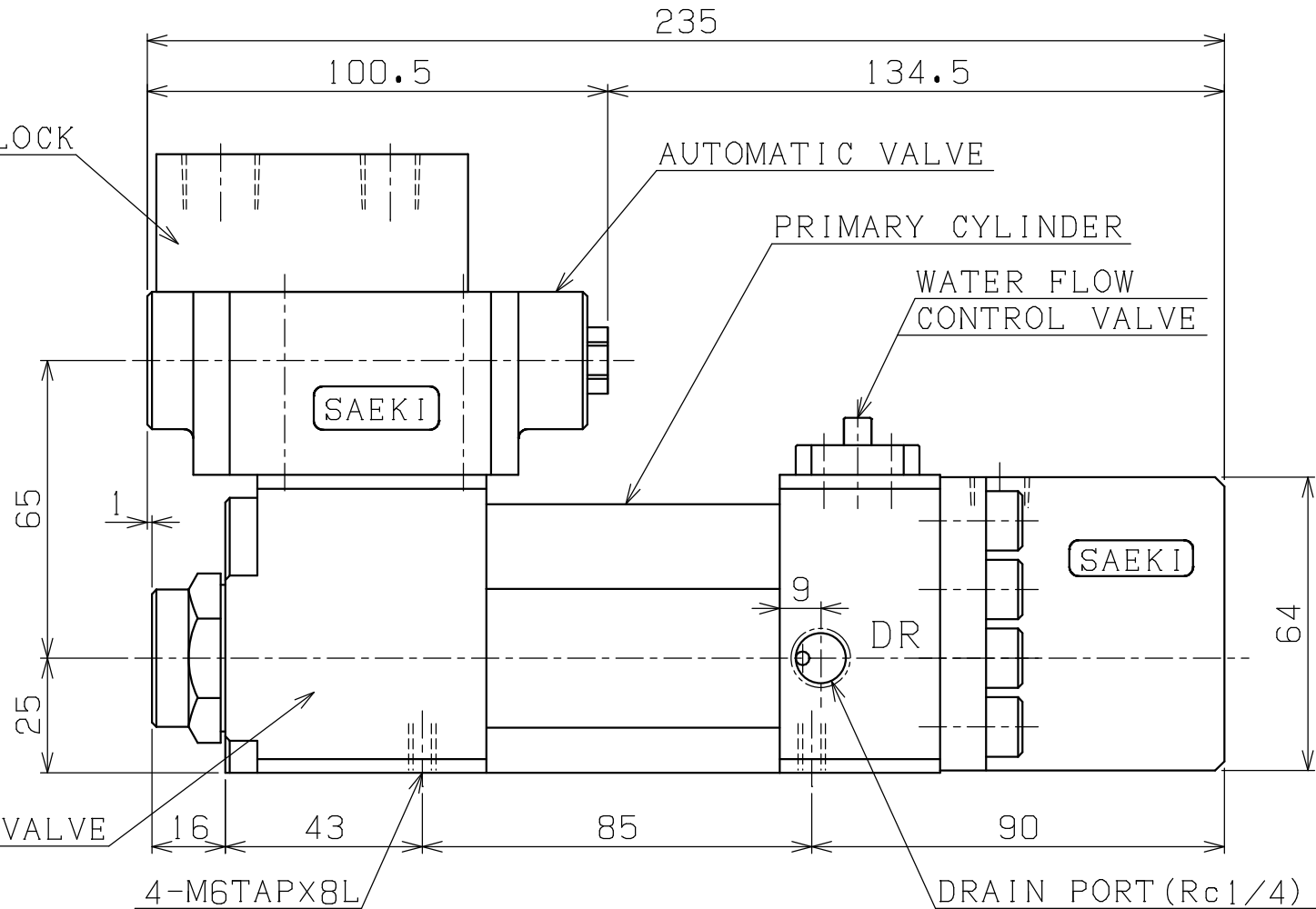
SAEKI

DR

MECHANICAL VALVE

4-M6TAPX8L

DRAIN PORT (Rc1/4)



S P E C	
MAX. PRIMARY PRESS,	8.5 MPa
MAX. PRIMARY INFLOW	20 L/min.
MAX. SECONDARY PRESS.	50 MPa
MAX. SECONDARY INFLOW	3 L/min.
PRESSURE RATIO	1 : 6
WEIGHT (ABOUT)	6.5 kgG

PLAN RECORD	基本仕上	MARK	PARTICULAR	QUAN	MATERIAL	SIZE	WEIGHT	REMARK
	寸法許容差	C H I E F		SWB6-5Z-00·01				
	区分許容差	H E A D						
	1 ~ 4 ±0.1	CHECKED BY		HYDRAULIC BOOSTER PUMP				
	5 ~ 16 ±0.2	DRAWN BY						
	17 ~ 63 ±0.3	DATE DRAWN		DRAWING NO. A3-0168C				
	64 ~ 250 ±0.5	SCALE 1/1.5						
	250~1000 ±0.8	SAEKI ENGINEERING Co., LTD.						

記号  
4005  
1005  
255  
6.35  
0.85