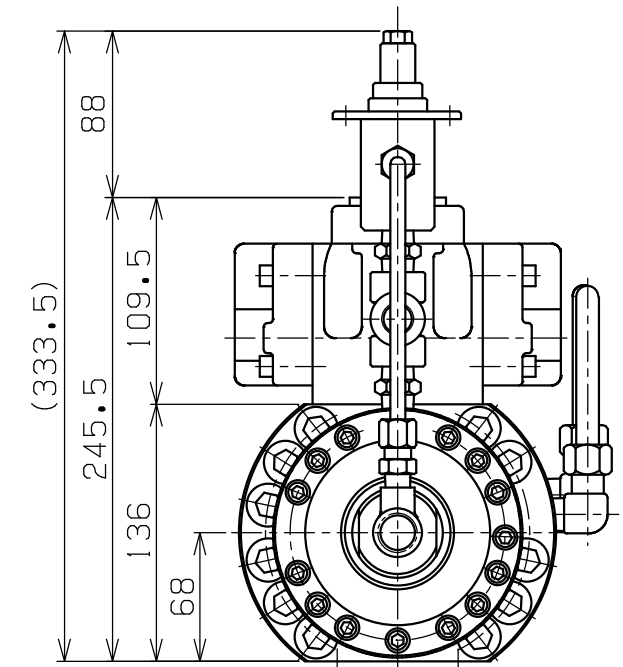
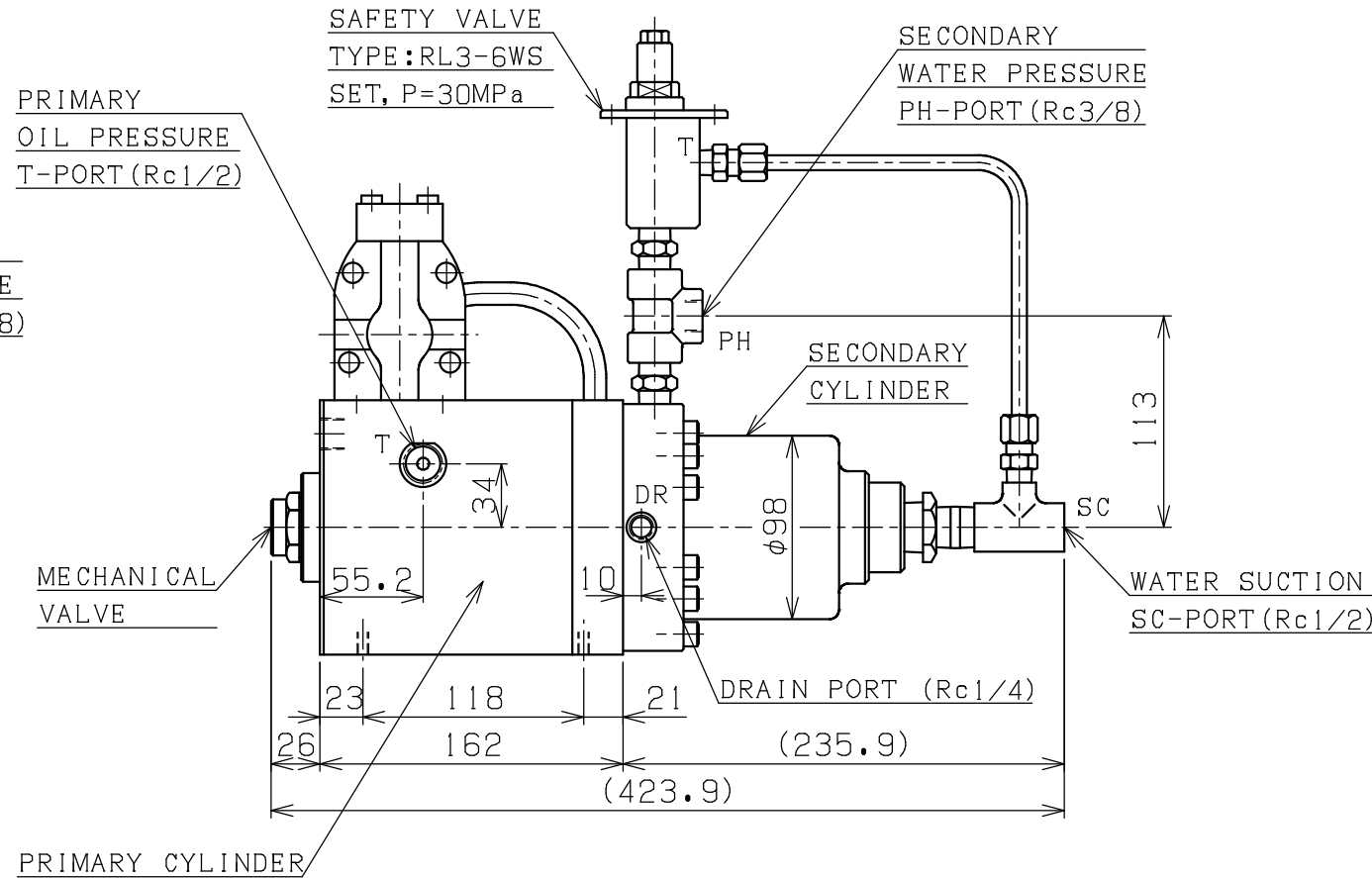
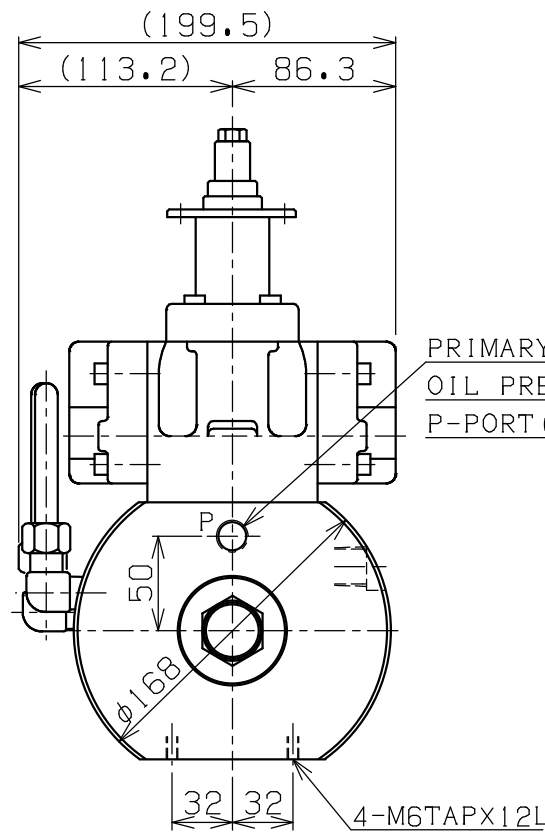
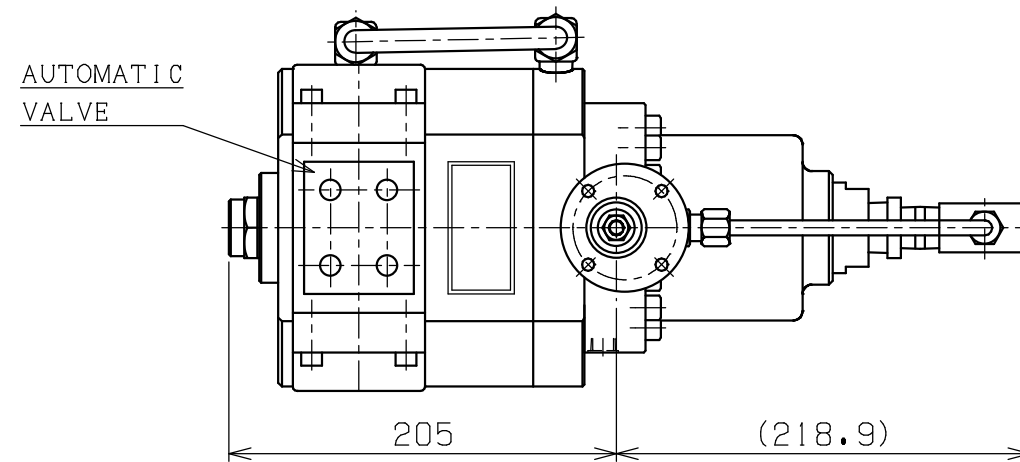


SPECIFICATION

MAX.PRIMARY PRESS,	14MPa
MAX.PRIMARY INFLOW	35L/min.
MAX.SECONDARY PRESS.	30MPa
MAX.SECONDARY INFLOW	7L/min.
PRESSURE RATIO	1 : 5
WEIGHT (ABOUT)	38kgG



PLAN RECORD	基本仕上	MARK	PARTICULAR	QUAN	MATERIAL	SIZE	WEIGHT	REMARK
	寸法許容差	C H I E F		SWB5-3Z-00・01 HYDRAULIC BOOSTER PUMP				
	区分許容差	H E A D						
	1 ~ 4 ±0.1	CHECKED BY		DRAWING NO. A3-1910D				
	5 ~ 16 ±0.2	DRAWN BY K. Sasaki						
	17 ~ 63 ±0.3	DATE DRAWN		SAEKI ENGINEERING Co., LTD.				
	64 ~ 250 ±0.5	SCALE						
	250~1000 ±0.8							

記号	4005
▽	1005
▽	255
▽	6.35
▽	0.85