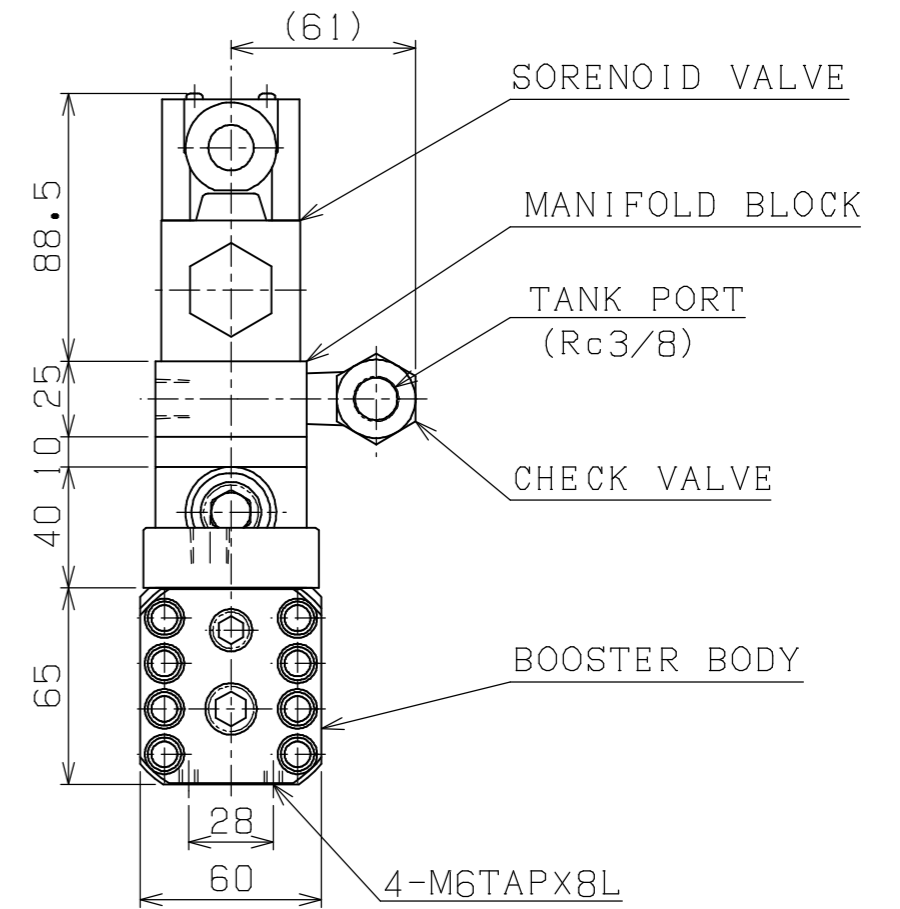
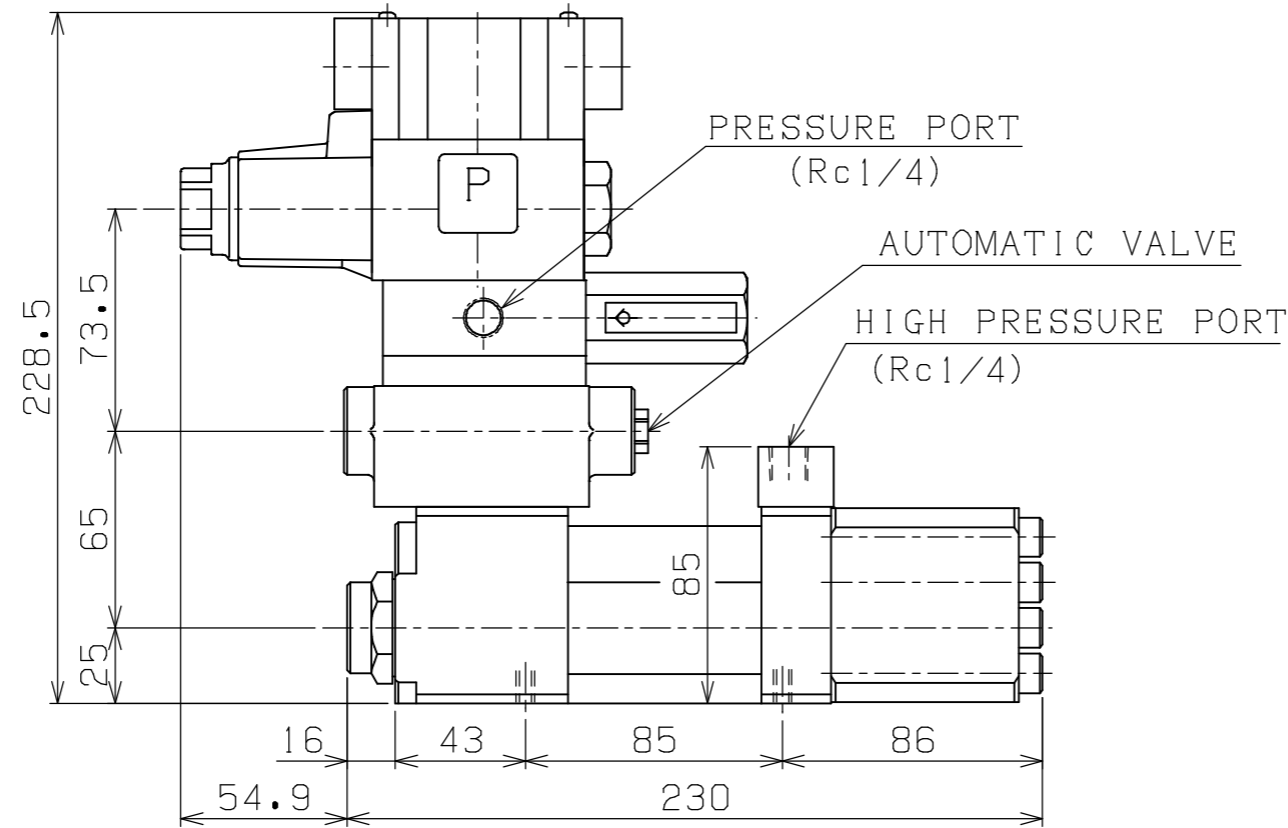
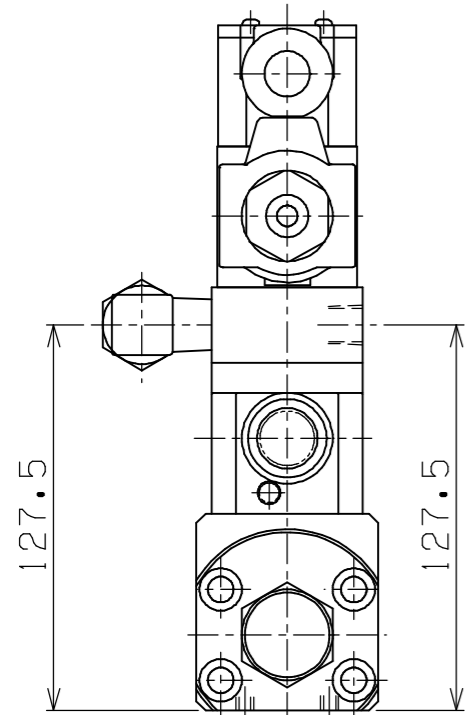
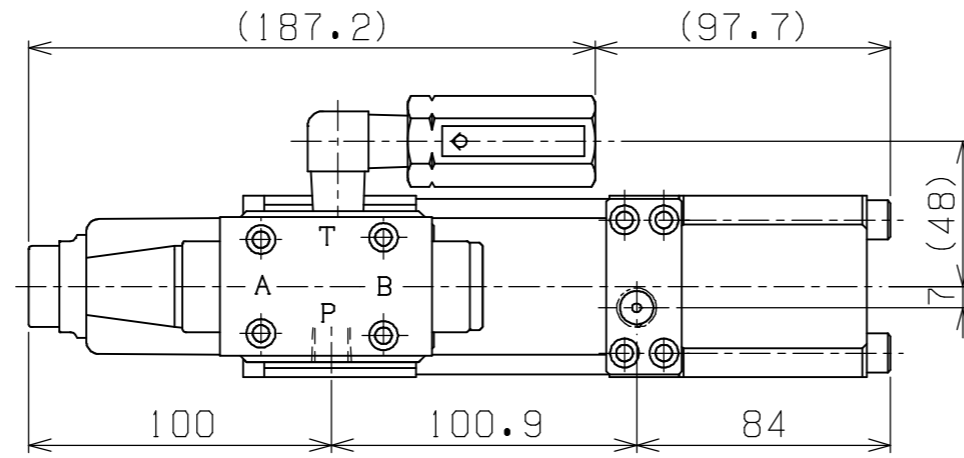


A3-1960A

|    |                     |
|----|---------------------|
| No | SORENOID VALVE      |
| 1  | DSG-01-2B4B-A100-70 |
|    |                     |
|    |                     |
|    |                     |



| SPECIFICATION         |           |
|-----------------------|-----------|
| MAX. SECONDARY PRESS. | 70 MPa    |
| MAX. PRIMARY INFLOW   | 20 L/min. |
| PRESSURE RATIO        | 1 : 6     |
| WEIGHT (ABOUT)        | 9 kgG     |

| PLAN RECORD | 基本仕上     | MARK      | PARTICULAR | QUAN | MATERIAL | SIZE                        | WEIGHT | REMARK |  |
|-------------|----------|-----------|------------|------|----------|-----------------------------|--------|--------|--|
|             | 寸法許容差    | C H I E F |            |      | HB6-7TSV |                             |        |        |  |
|             | 区分       | 許容差       | H E A D    |      |          | HYDRO BOOSTER UNIT          |        |        |  |
|             | 1 ~ 4    | ±0.1      | CHECKED BY |      |          | DRAWING NO. A3-1960A        |        |        |  |
|             | 5 ~ 16   | ±0.2      | DRAWN BY   |      |          | SAEKI ENGINEERING Co., LTD. |        |        |  |
|             | 17 ~ 63  | ±0.3      | DATE DRAWN |      |          |                             |        |        |  |
|             | 64 ~ 250 | ±0.5      | SCALE      |      |          |                             |        |        |  |
|             | 250~1000 | ±0.8      |            |      |          |                             |        |        |  |

記号  
400S  
100S  
25S  
6.3S  
0.8S