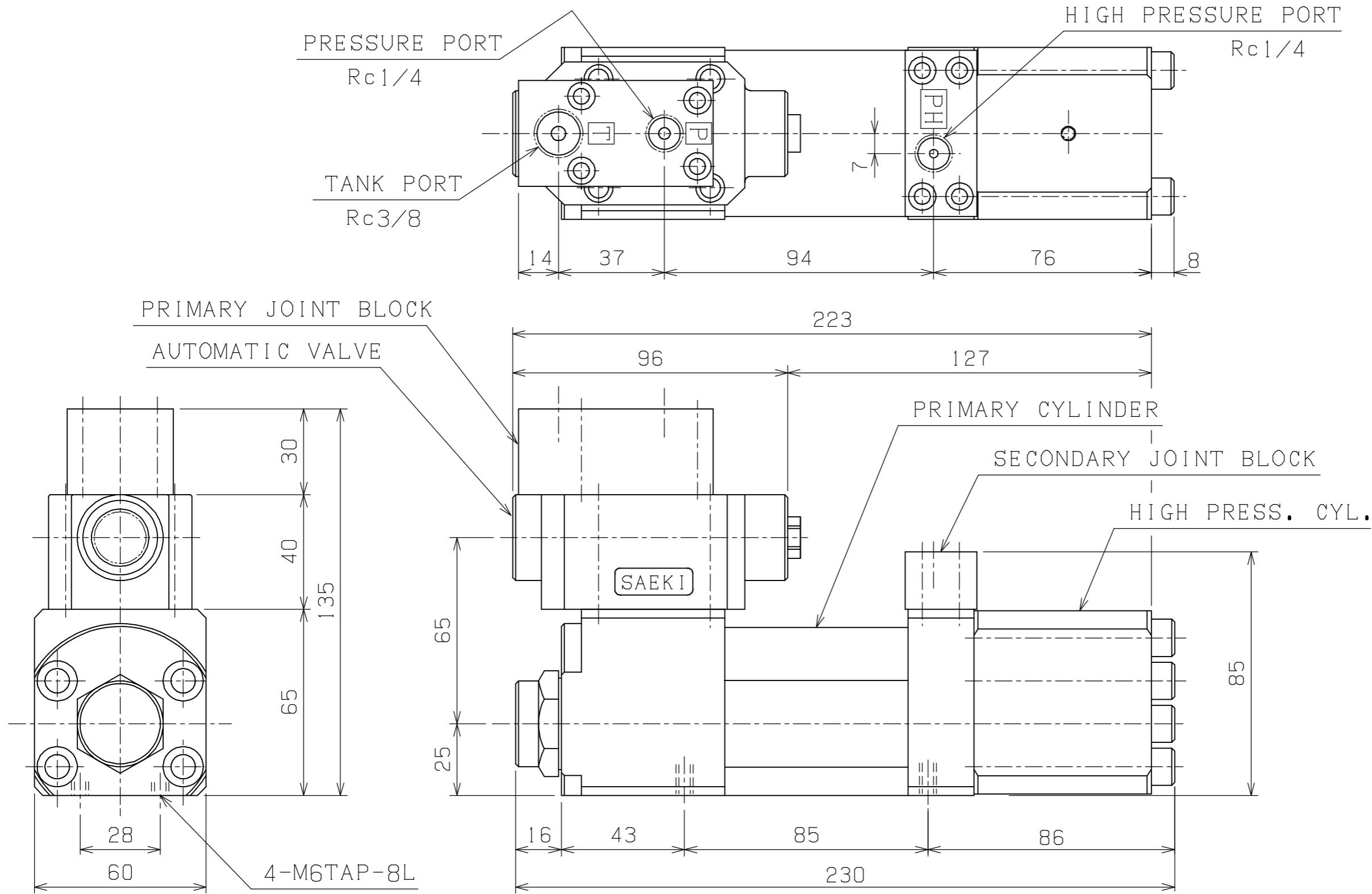


A3-0168E



SPEC	
MAX. SECONDARY PRESS.	70 MPa
MAX. PRIMARY INFLOW	20 L/min.
PRESSURE RATIO	1 対 6
WEIGHT	7 kgG

PLAN RECORD	基本仕上	MARK	PARTICULAR	QUAN	MATERIAL	SIZE	WEIGHT	REMARK
	寸法許容差	CHIEF			HB6-700 (Rc)			
	区分許容差	HEAD			HYDRO BOOSTER			
	1 ~ 4 ±0.1	CHECKED BY			DRAWING NO.	A3-0168E		
	5 ~ 16 ±0.2	DRAWN BY						
	17 ~ 63 ±0.3	DATE DRAWN						
	64 ~ 250 ±0.5	SCALE	1/1.5					
	250~1000 ±0.8				SAEKI ENGINEERING Co., LTD.			

記号  
400S  
100S  
25S  
6.3S  
0.8S