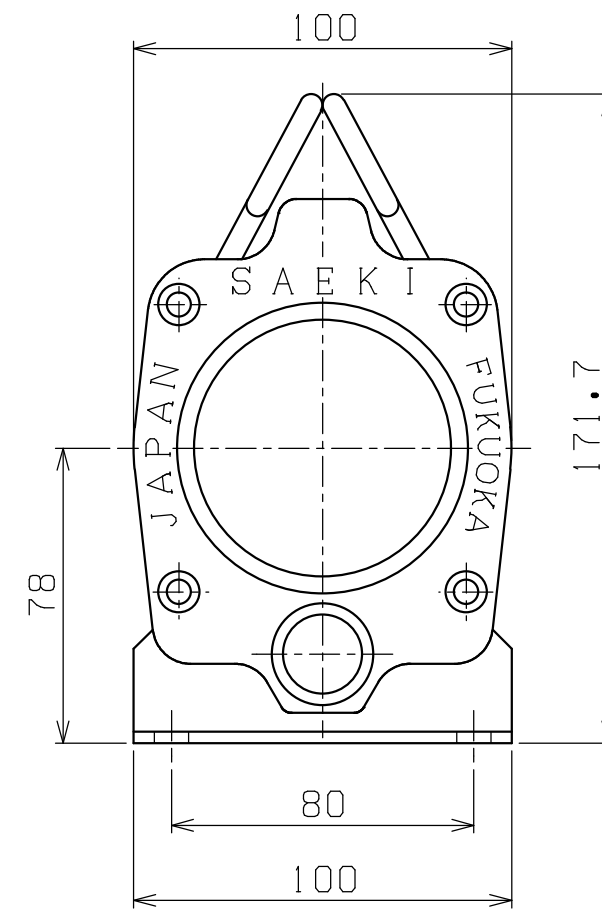
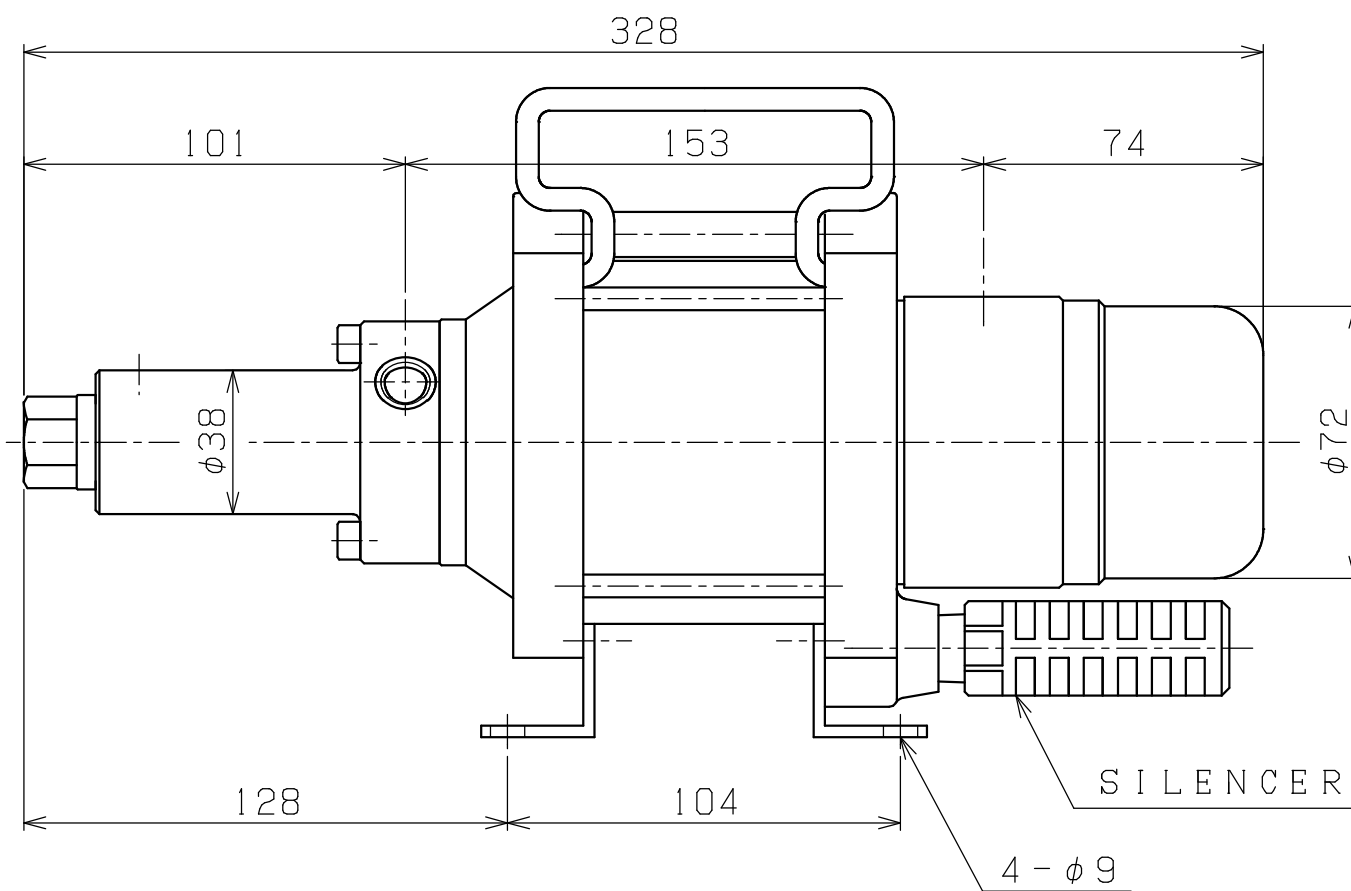
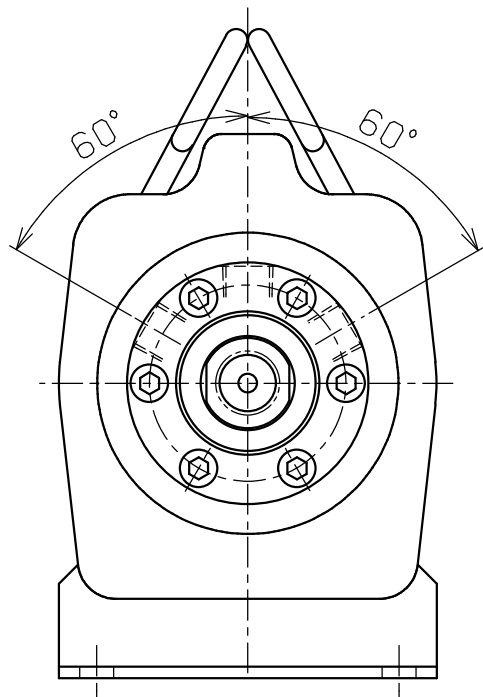
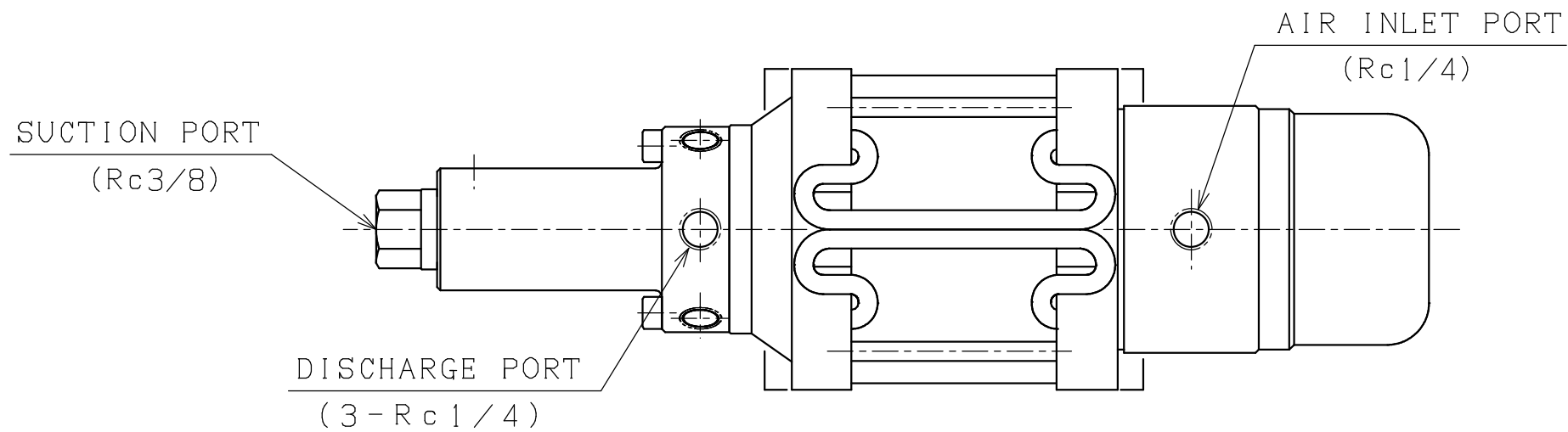


A3-1415A



G2・MHP本体・外觀・MHP75

SPECIFICATION	
MODEL	MHP75-600
INTENSIFYING RATIO	1:75
AIR CONSUMPTION	1.2 (m3/min)
MAX. PRESSURE	60 MPa
WEIGHT	4.4 kgG

PLAN RECORD	基本仕上	MARK	PARTICULAR	QUAN	MATERIAL	SIZE	WEIGHT	REMARK
	寸法許容差	C H I E F		MHP75-600				
	区分許容差	H E A D						
	1~4 ±0.1	CHECKED BY		HYDRO PUMP				
	5~16 ±0.2	DRAWN BY						
	17~63 ±0.3	DATE DRAWN		DRAWING NO.	A3-1415A			
	64~250 ±0.5	SCALE 1/2		SAEKI ENGINEERING Co., LTD.				
	250~1000 ±0.8							

記号
400S
100S
25S
6.3S
0.8S