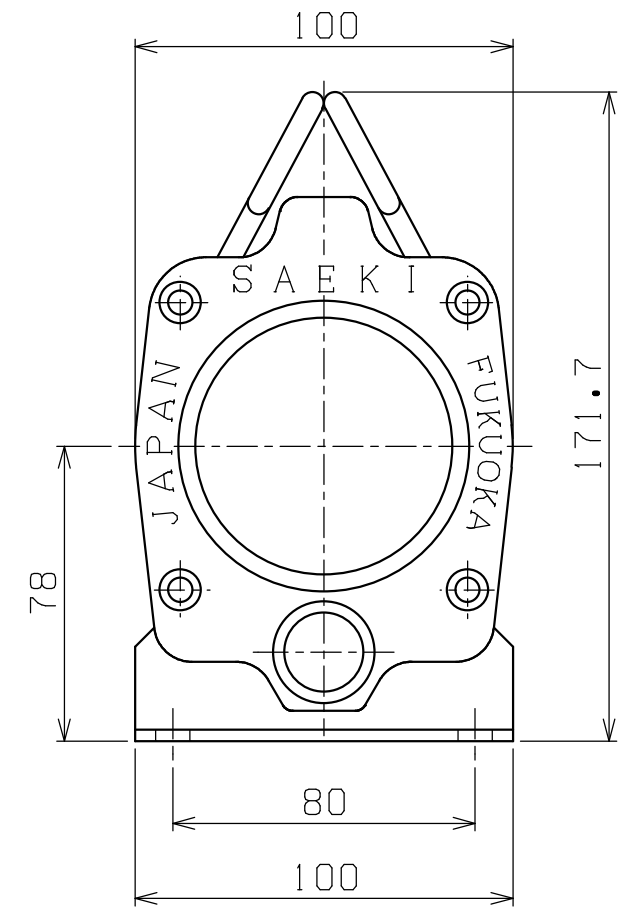
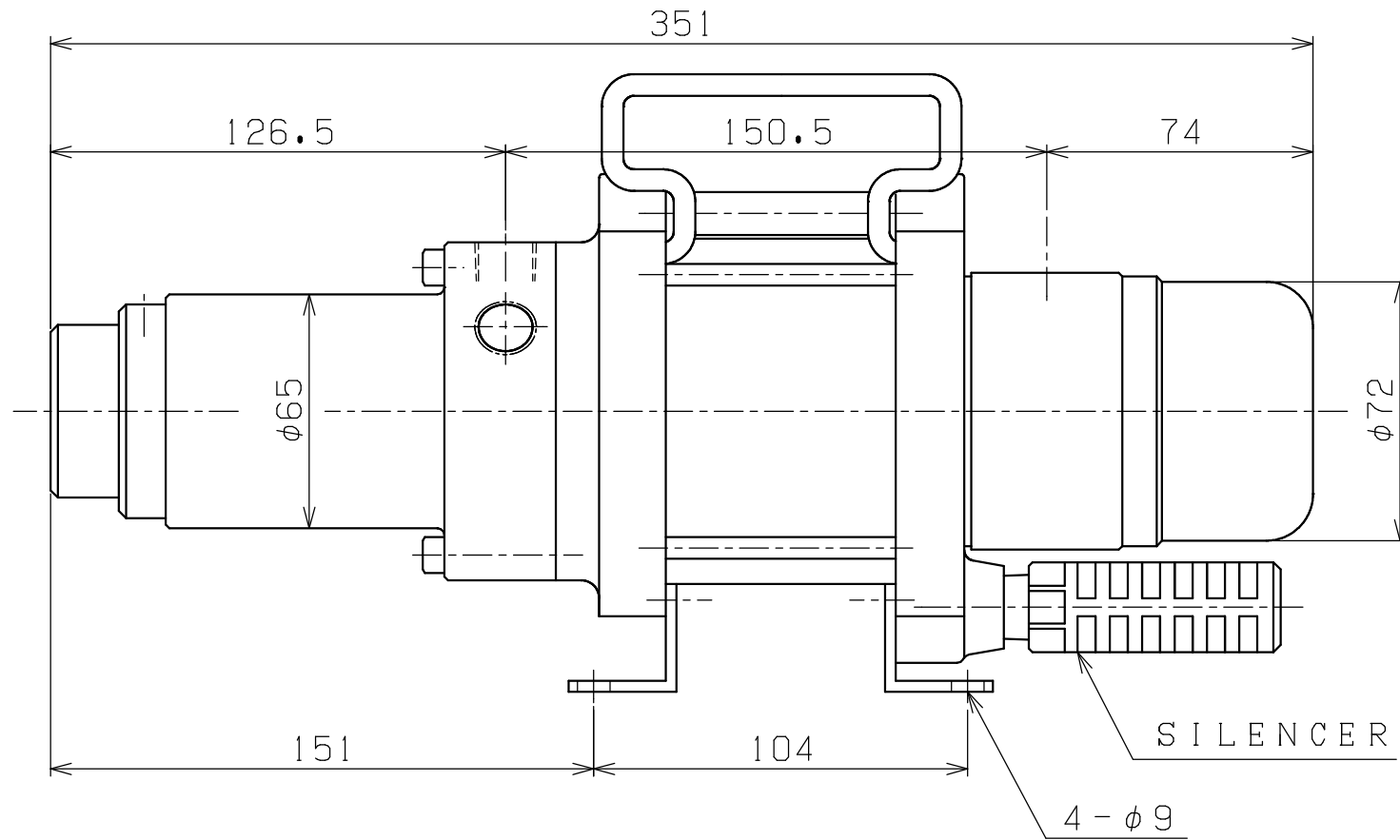
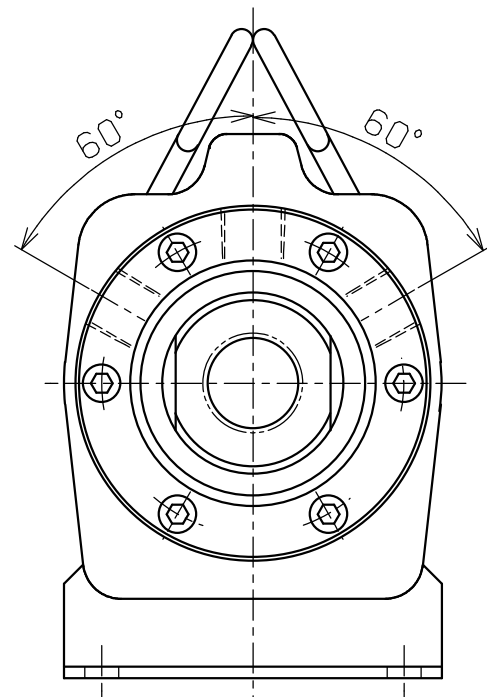


A3-1414A

SUCTION PORT
(Rc3/4)

DISCHARGE PORT
(3-Rc3/8)

AIR INLET PORT
(Rc1/4)



G2・MHP本体・外觀・MHP5

SPECIFICATION	
MODEL	MHP5-40(BODY)
INTENSIFYING RATIO	1:5
AIR CONSUMPTION	1.2 (m3/min)
MAX. PRESSURE	4 MPa
WEIGHT	7.0 kgG

PLAN RECORD	基本仕上	MARK	PARTICULAR	QUAN	MATERIAL	SIZE	WEIGHT	REMARK
	寸法許容差	C H I E F		MHP5-40				
	区分許容差	H E A D						
	1~4 ±0.1	CHECKED BY		HYDRO PUMP BODY				
	5~16 ±0.2	DRAWN BY						
	17~63 ±0.3	DATE DRAWN		DRAWING NO.	A3-1414A			
	64~250 ±0.5	SCALE 1/2		SAEKI ENGINEERING Co., LTD.				
	250~1000 ±0.8							

記号
4005
1005
255
6.35
0.85