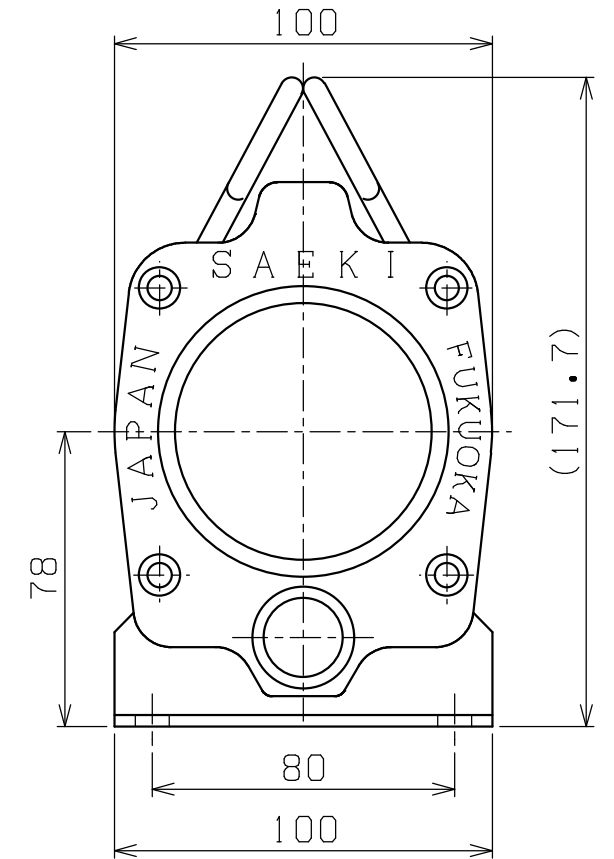
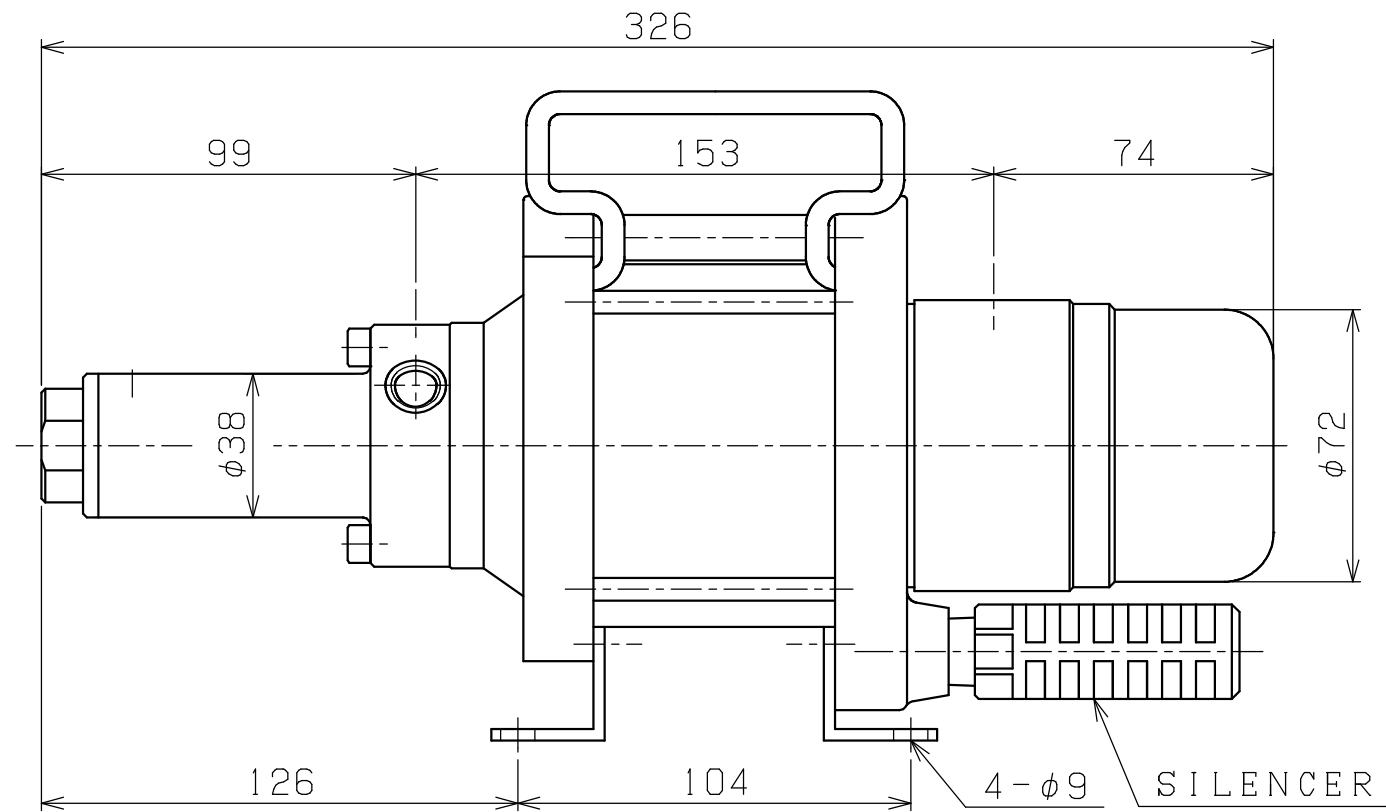
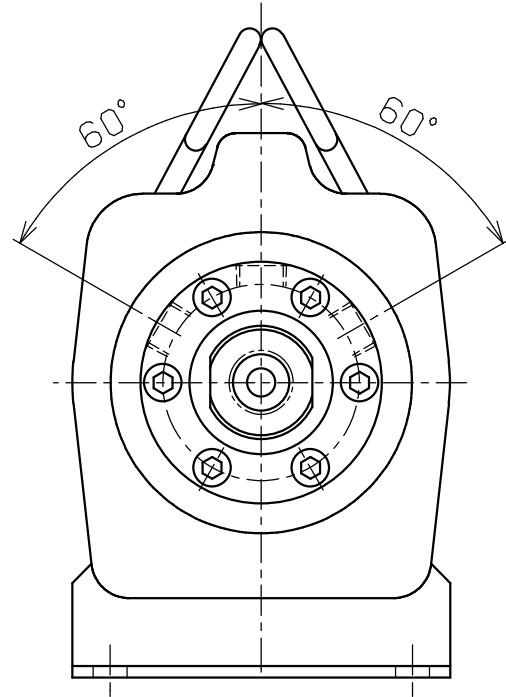
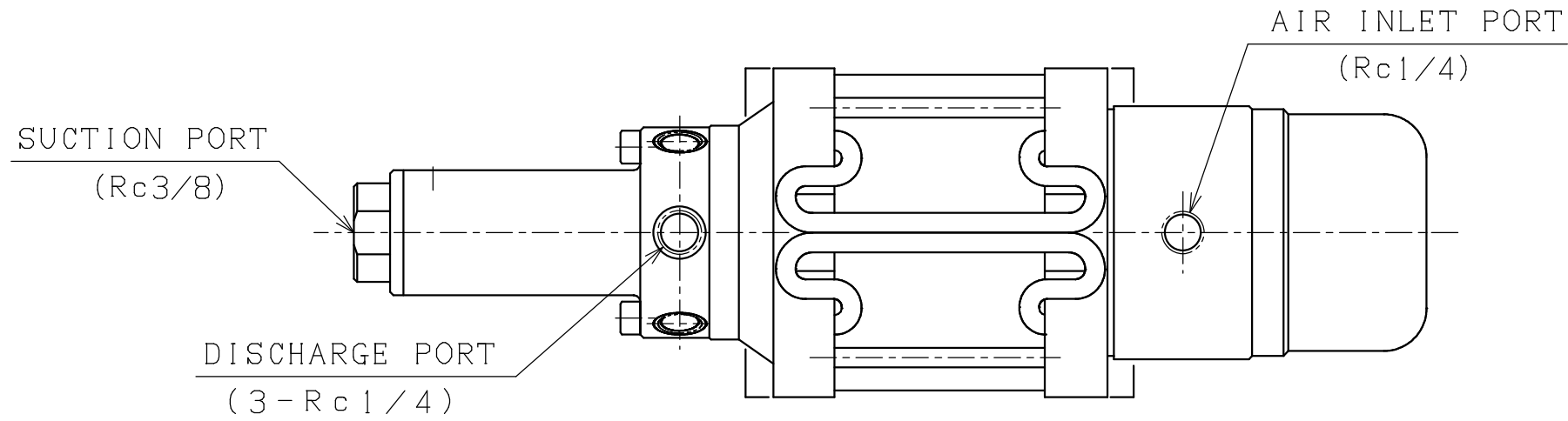


A 3 - 1 3 8 2 A



G2・MHP本体・外観・MHP24

SPECIFICATION	
MODEL	MHP24-190
INTENSIFYING RATIO	1:24
AIR CONSUMPTION	1.2 (m3/min)
MAX. PRESSURE	19MPa (190kgf/cm2)
SUCTION PORT SIZE	Rc3/8
DISCHARGE PORT SIZE	Rc1/4
WEIGHT	4.4kgG

PLAN RECORD	基本仕上	MARK	PARTICULAR	QUAN	MATERIAL	SIZE	WEIGHT	REMARK
	寸法許容差	C H I E F		MHP24-190 HYDRO PUMP				
	区分許容差	H E A D						
	1~4 ±0.1	CHECKED BY		DRAWING NO. A3-1382A				
	5~16 ±0.2	DRAWN BY						
	17~63 ±0.3	DATE DRAWN		SAEKI ENGINEERING Co., LTD.				
	64~250 ±0.5	SCALE 1/2						
	250~1000 ±0.8							

記号
4005
1005
255
6.35
0.85