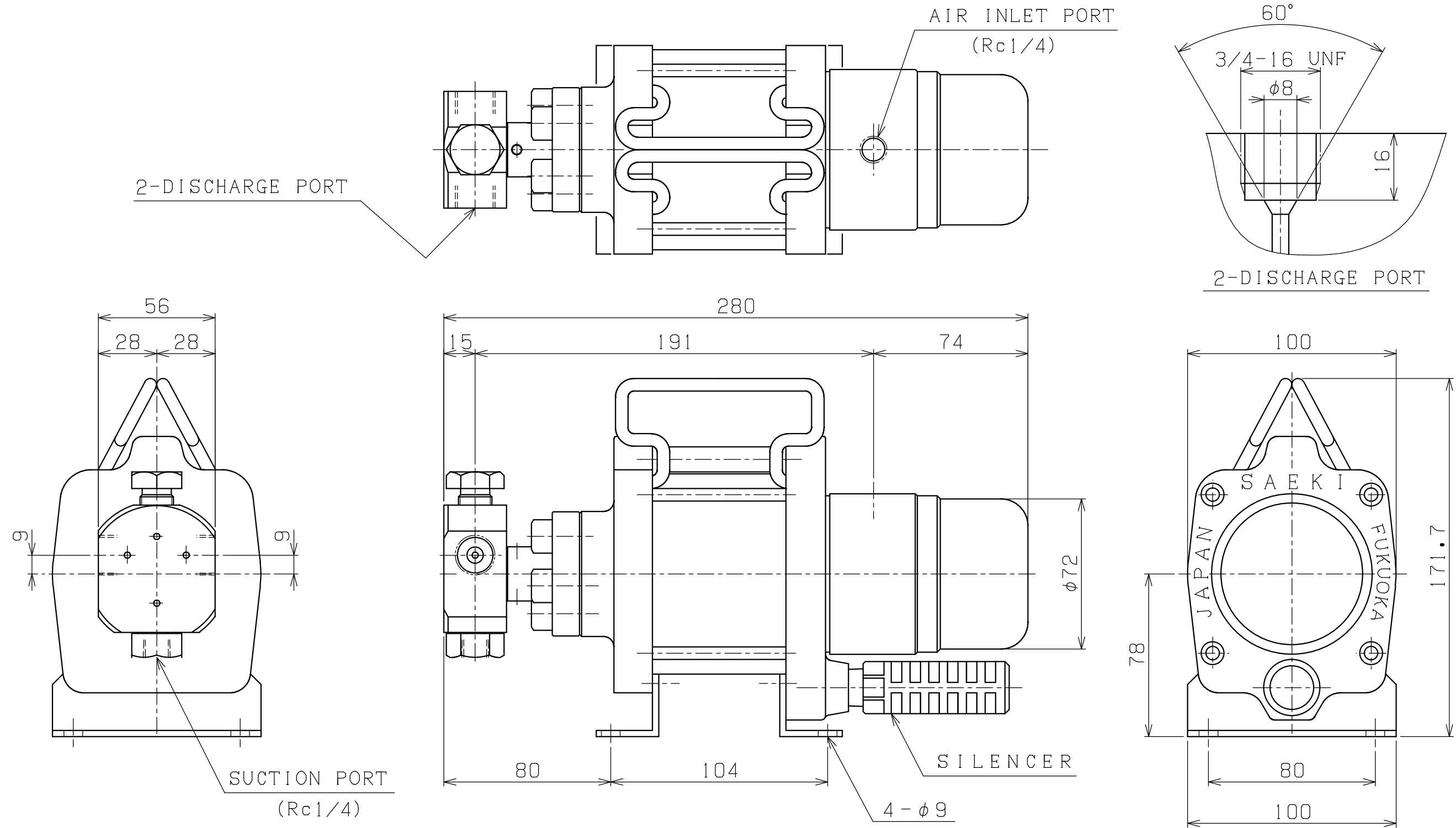


A3-1797



SPECIFICATION	
MODEL	MHP200-1600 (BODY)
INTENSIFYING RATIO	1:200
AIR CONSUMPTION	1.2 (m3/min)
MAX. PRESSURE	160 MPa
WEIGHT	4.5 kgG

PLAN RECORD	基本仕上	MARK	PARTICULAR	QUAN	MATERIAL	SIZE	WEIGHT	REMARK
	寸法許容差	C H I E F		MHP200-1600 ハイドロポンプ				
	区分許容差	H E A D						
	1 ~ 4	±0.1	CHECKED BY	DRAWING NO. A3-1797				
	5 ~ 16	±0.2	DRAWN BY					
	17 ~ 63	±0.3	DATE DRAWN					
	64 ~ 250	±0.5	SCALE	SAEKI ENGINEERING Co., LTD.				
	250~1000	±0.8						

記号  
4005  
1005  
255  
6.35  
0.85