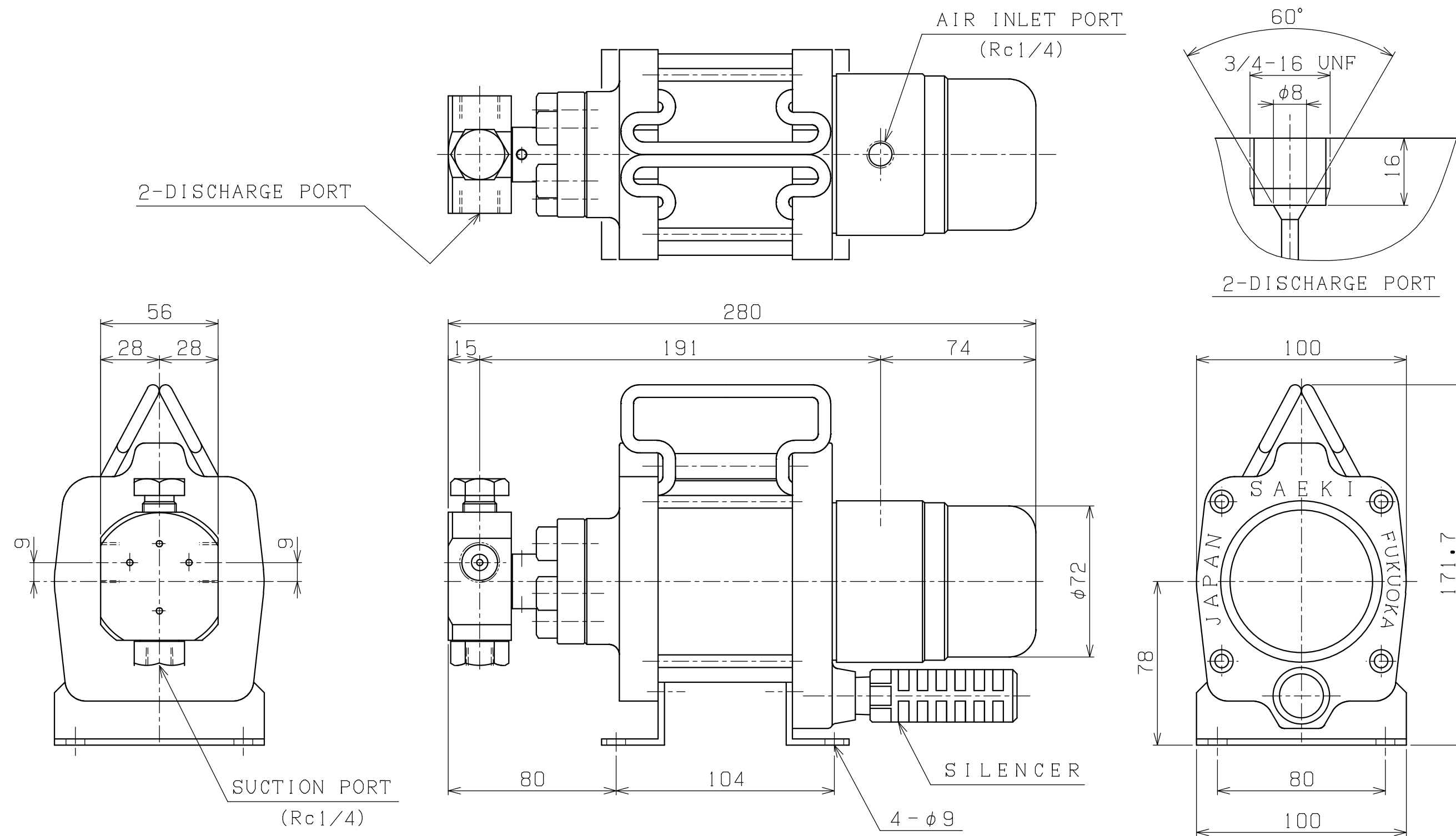


A3-1797F



SPECIFICATION	
MODEL	MHP150-1200 (BODY)
INTENSIFYING RATIO	1:150
AIR CONSUMPTION	1.2 (m3/min)
MAX. PRESSURE	120 MPa
WEIGHT	4.5 kgG

PLAN RECORD	基本仕上	MARK	PARTICULAR	QUAN	MATERIAL	SIZE	WEIGHT	REMARK
	寸法許容差	C H I E F		MHP150-1200				
	区分許容差	H E A D						
	1 ~ 4 ±0.1	CHECKED BY		DRAWING NO. A3-1797F				
	5 ~ 16 ±0.2	DRAWN BY						
	17 ~ 63 ±0.3	DATE DRAWN		SAEKI ENGINEERING Co., LTD.				
	64 ~ 250 ±0.5	SCALE						
	250~1000 ±0.8							

記号
4005
1005
255
6.35
0.85