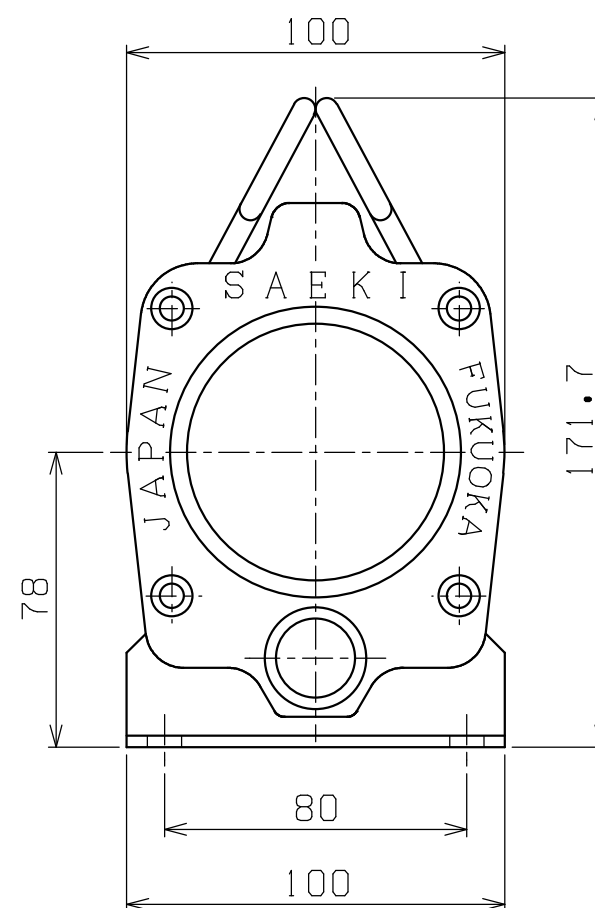
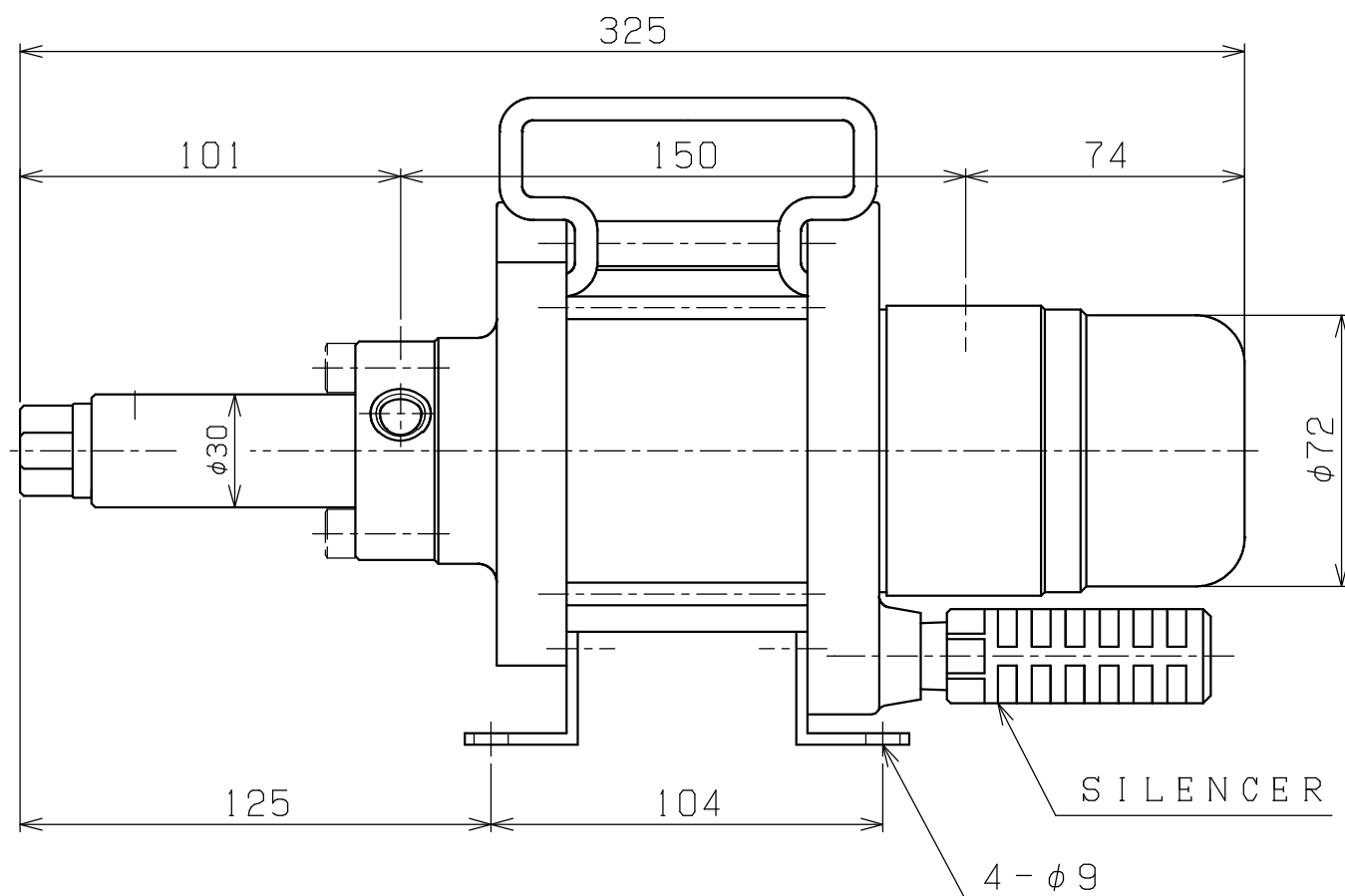
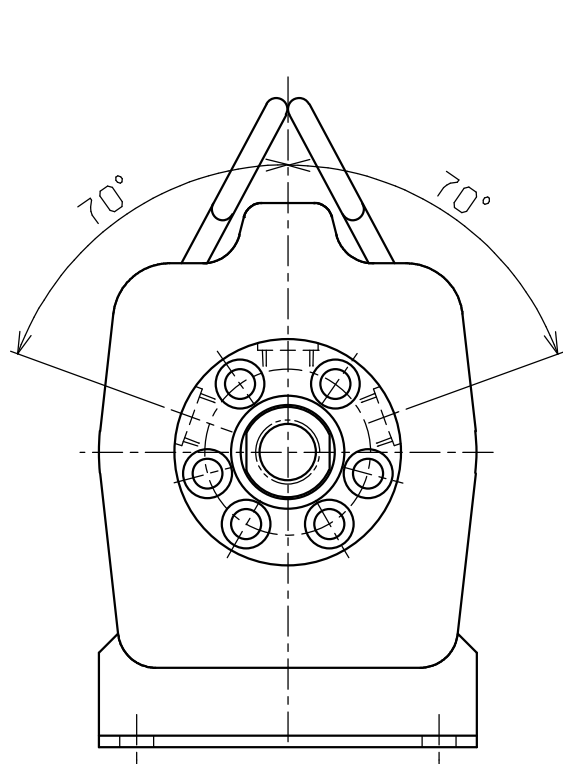
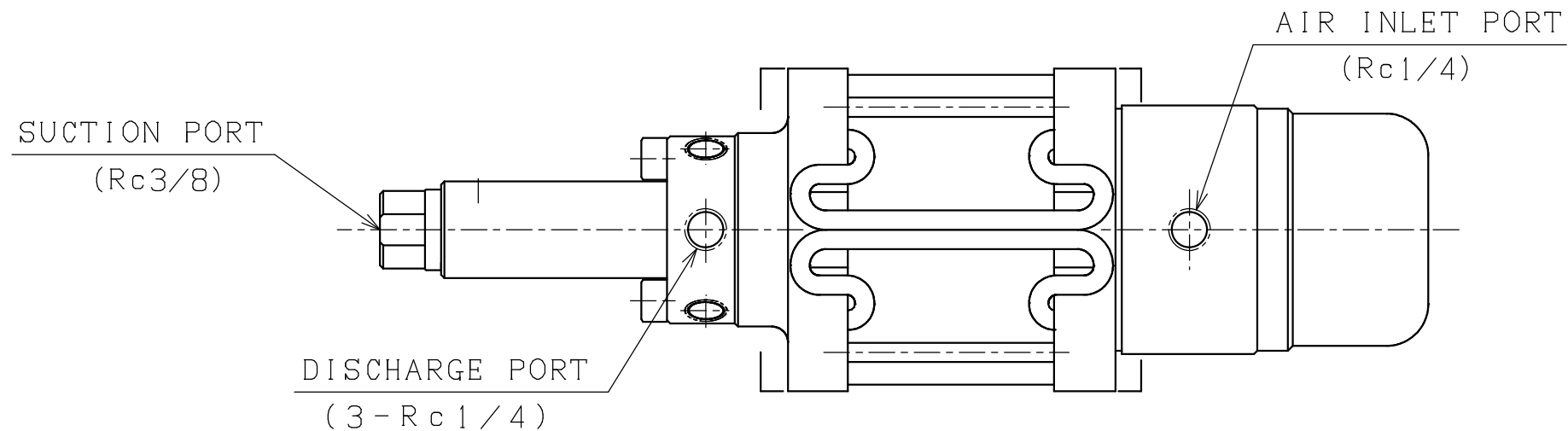


A 3 - 1 4 2 6



G2・MHP本体・外觀・MHP100

SPECIFICATION	
MODEL	MHP100-800 (BODY)
INTENSIFYING RATIO	1:100
AIR CONSUMPTION	1.2 (m <sup>3</sup> /min)
MAX. PRESSURE	80 MPa
WEIGHT	4.0 kgG

PLAN RECORD	基本仕上	MARK	PARTICULAR	QUAN	MATERIAL	SIZE	WEIGHT	REMARK
	寸法許容差	C H I E F		MHP100-800				
	区分許容差	H E A D						
	1 ~ 4 ±0.1	CHECKED BY		HYDRO PUMP BODY				
	5 ~ 16 ±0.2	DRAWN BY						
	17 ~ 63 ±0.3	DATE DRAWN		DRAWING NO.	A 3 - 1 4 2 6			
	64 ~ 250 ±0.5	SCALE 1 / 2		SAEKI ENGINEERING Co., LTD.				
	250~1000 ±0.8							

記号  
4005  
1005  
255  
6.35  
0.85