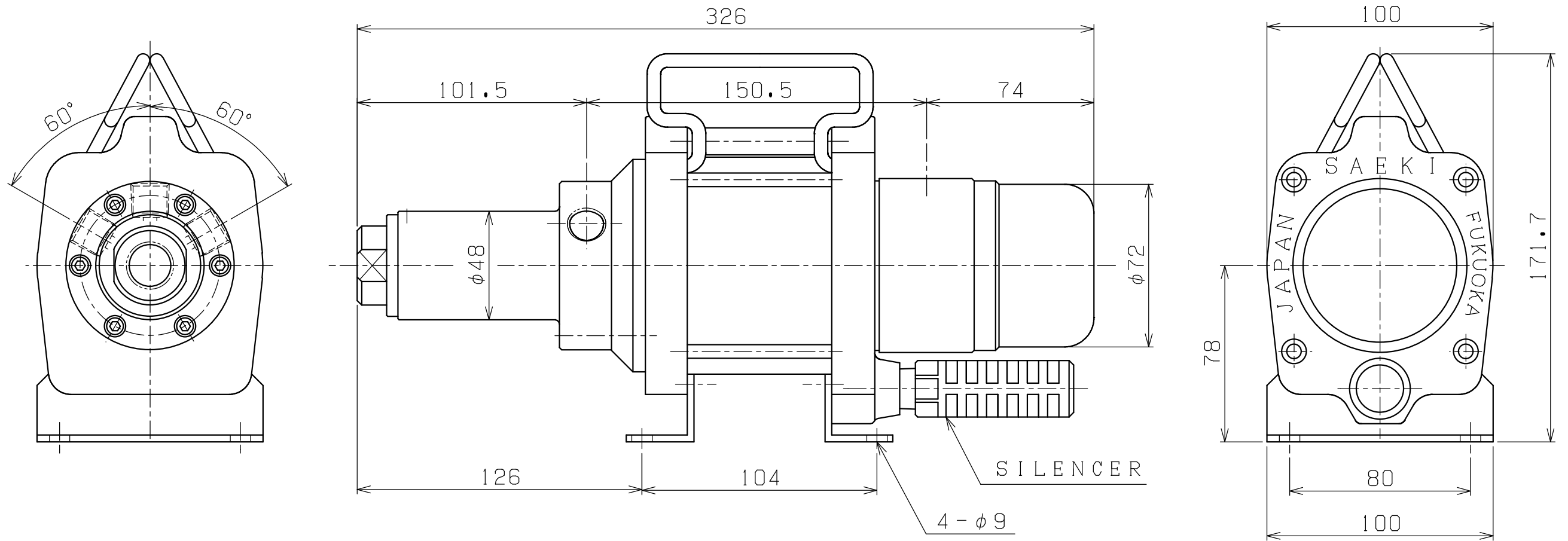
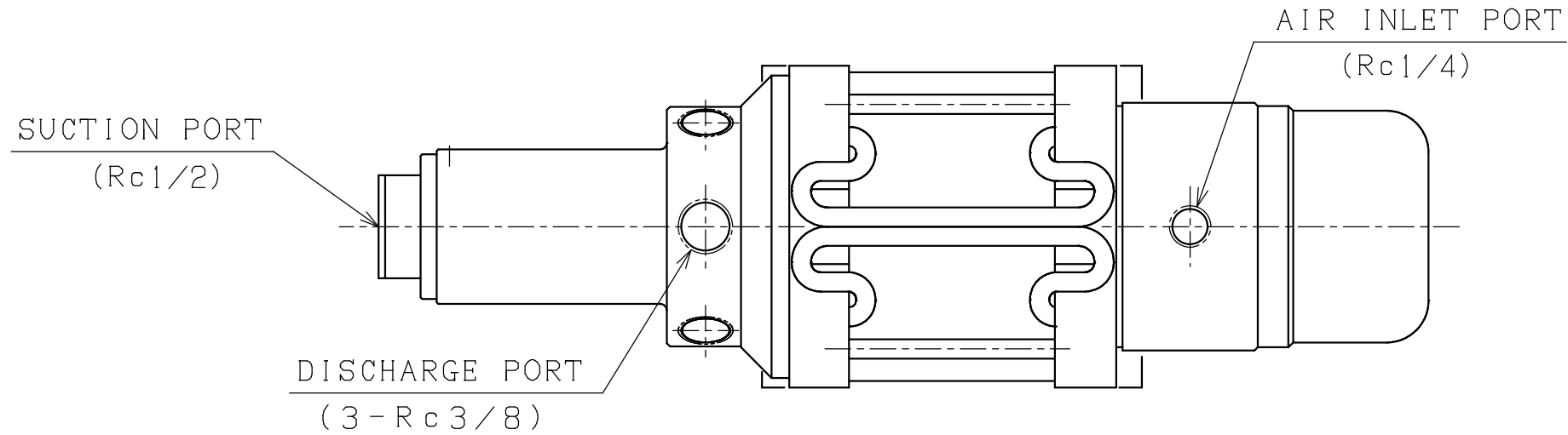


A3-1414



G2・MHP本体・外觀・MHP10

SPECIFICATION	
MODEL	MHP10-80 (BODY)
INTENSIFYING RATIO	1:10
AIR CONSUMPTION	1.2 (m3/min)
MAX. PRESSURE	8 MPa
WEIGHT	5.0 kgG

PLAN RECORD	基本仕上	MARK	PARTICULAR	QUAN	MATERIAL	SIZE	WEIGHT	REMARK
	寸法許容差	C H I E F		MHP10-80				
	区分許容差	H E A D		HYDRO PUMP BODY				
	1~4 ±0.1	CHECKED BY		DRAWING NO. A3-1414				
	5~16 ±0.2	DRAWN BY		SAEKI ENGINEERING Co., LTD.				
	17~63 ±0.3	DATE DRAWN						
	64~250 ±0.5	SCALE 1/2						
	250~1000 ±0.8							

記号  
4005  
1005  
255  
6.35  
0.85