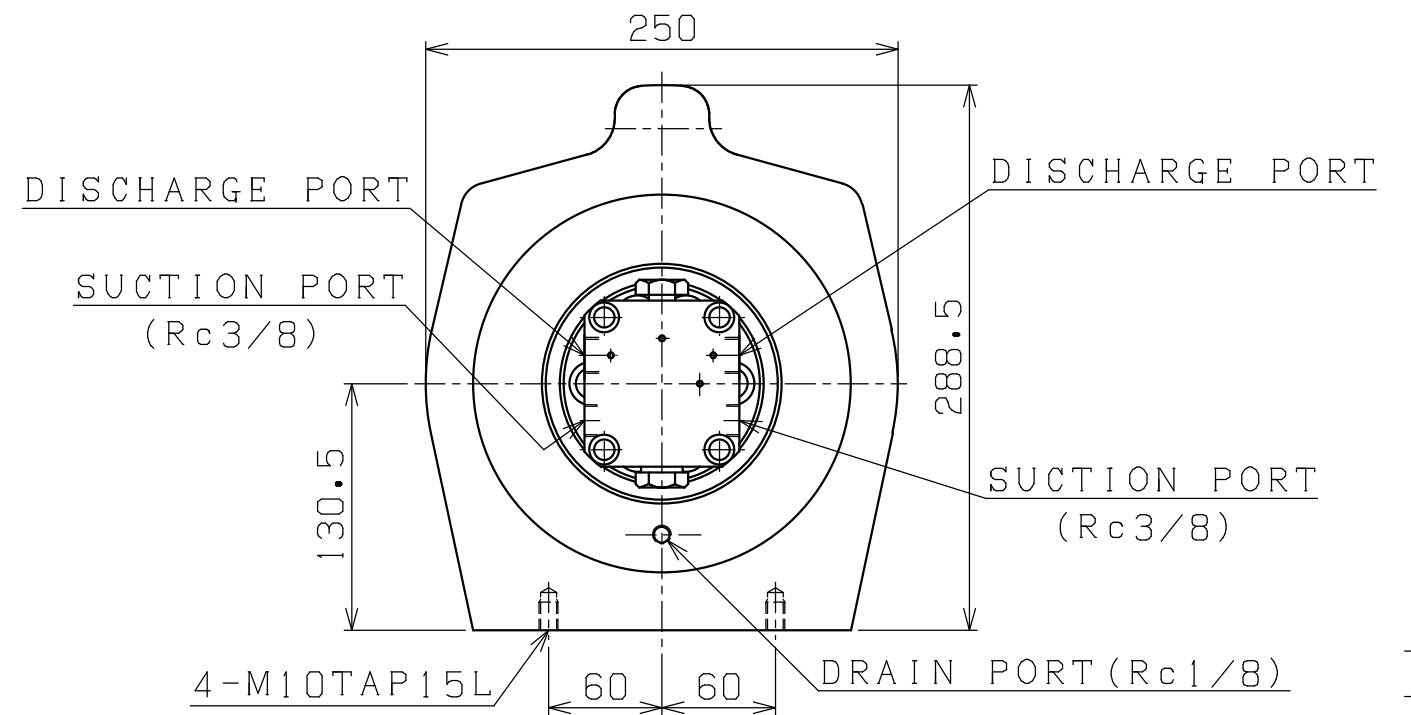
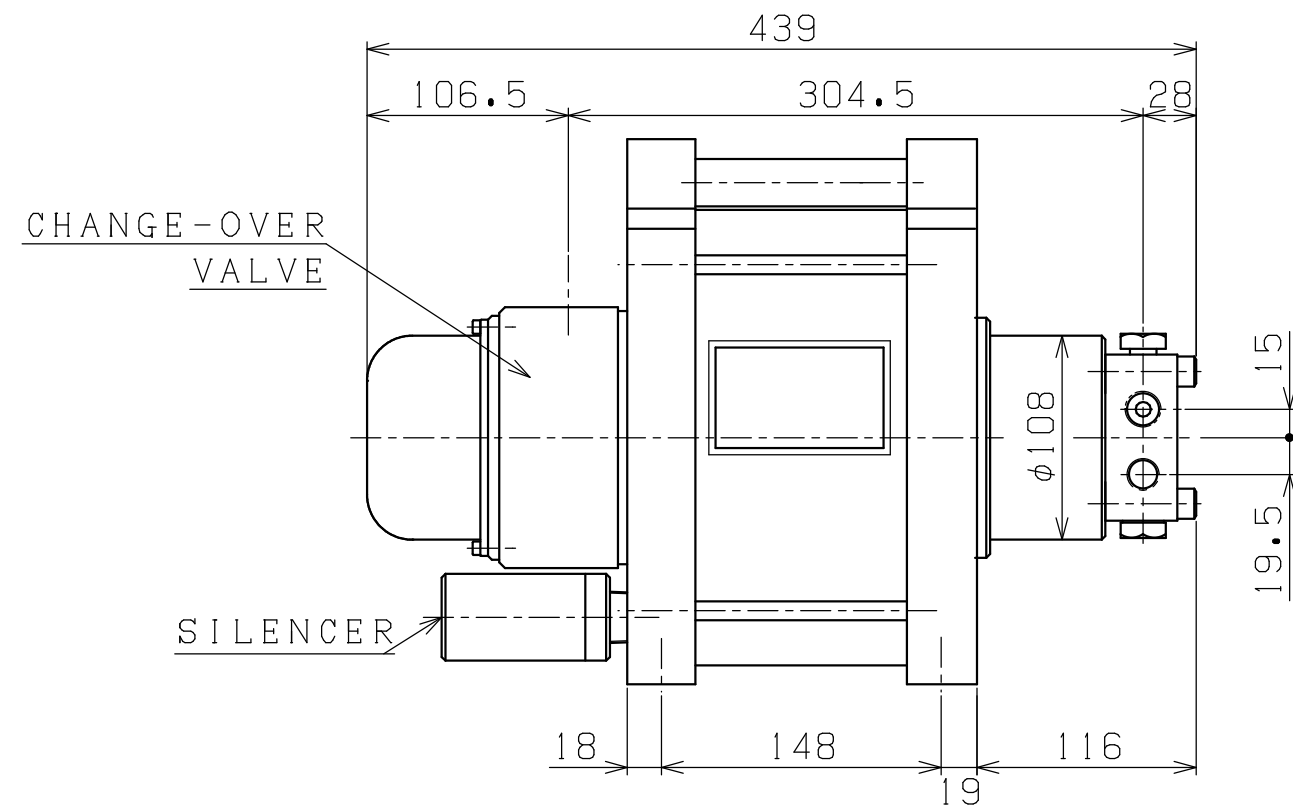
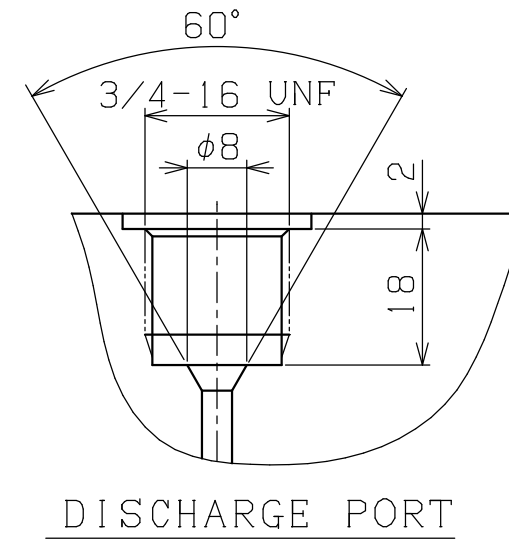
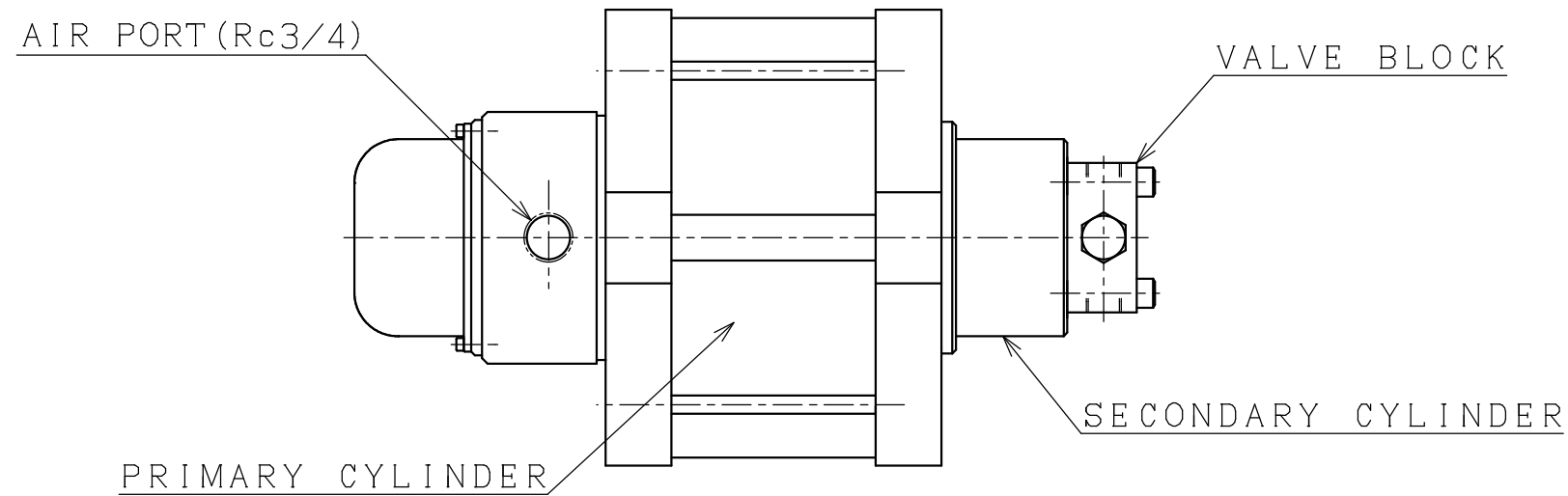


A3-1757



SPECIFICATION

MODEL	CHP650-3300
INTENSIFYING RATIO	1:650
AIR CONSUMPTION	5 (m ³ /min)
MAX. PRESSURE	330 MPa
PLUNGER X STROKE	φ9X32mmX160ST/min
WEIGHT (ABOUT)	53 kg

PLAN RECORD	基本仕上	MARK	PARTICULAR	QUAN	MATERIAL	SIZE	WEIGHT	REMARK
	寸法許容差	C H I E F		CHP650-3300				
	区分許容差	H E A D		HYDRO PUMP				
	1 ~ 4 ±0.1	CHECKED BY		DRAWING NO. A3-1757				
	5 ~ 16 ±0.2	DRAWN BY		SAEKI ENGINEERING Co., LTD.				
	17 ~ 63 ±0.3	DATE DRAWN						
	64 ~ 250 ±0.5	SCALE 1/4						
	250~1000 ±0.8							

記号
400S
100S
25S
6.3S
0.8S