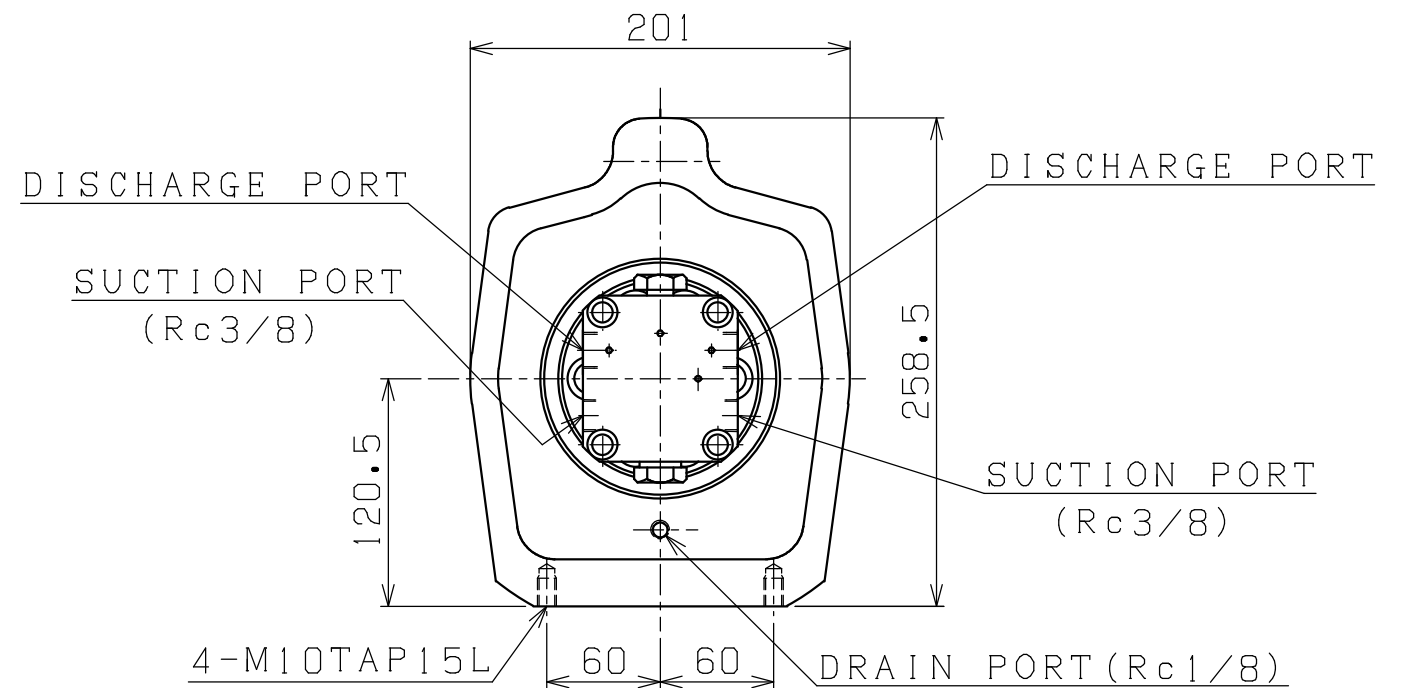
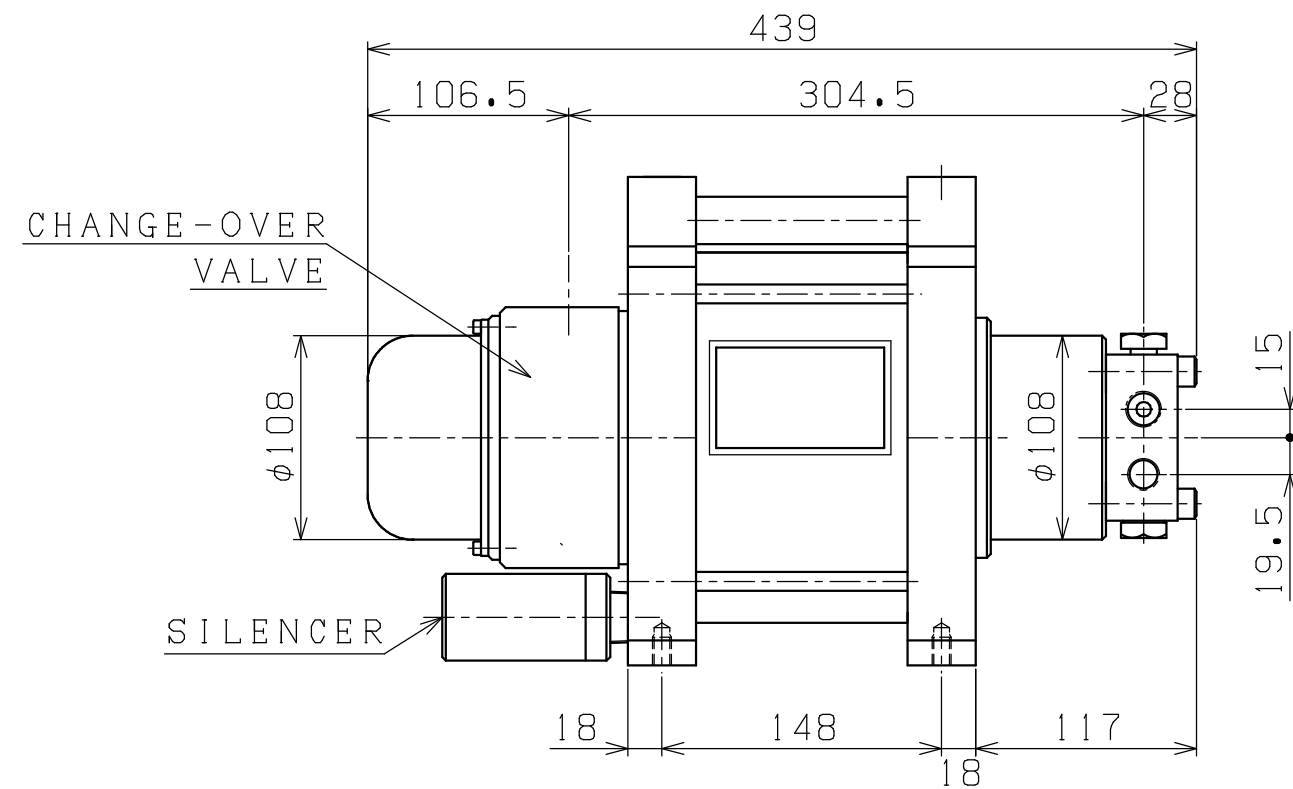
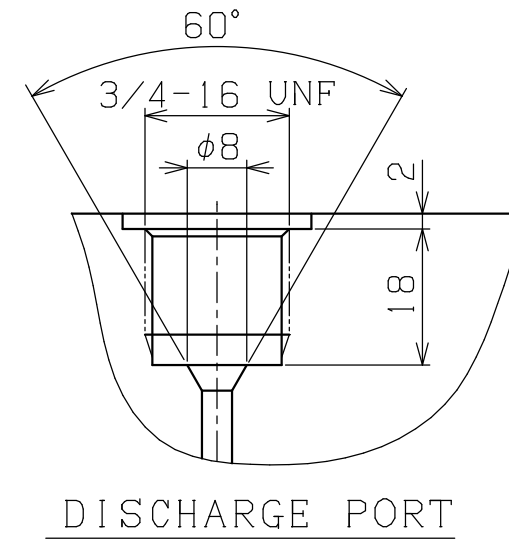
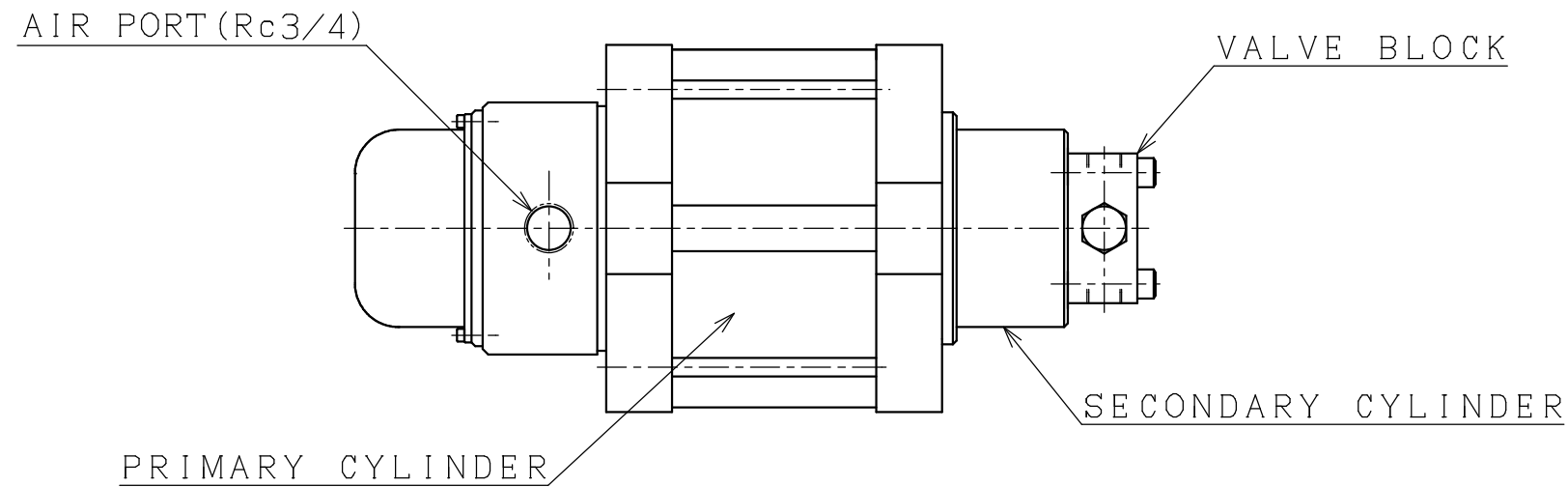


A3-1657



SPECIFICATION	
MODEL	CHP400-2800
INTENSIFYING RATIO	1:400
AIR CONSUMPTION	5 (m <sup>3</sup> /min)
MAX. PRESSURE	280 MPa
PLUNGER X STROKE	φ9 X 32 mm
WEIGHT (ABOUT)	30 kg G

PLAN RECORD	基本仕上	MARK	PARTICULAR	QUAN	MATERIAL	SIZE	WEIGHT	REMARK
	寸法許容差	C H I E F		CHP400-2800				
	区分許容差	H E A D		HYDRO PUMP				
	1 ~ 4 ±0.1	CHECKED BY		DRAWING NO. A3-1657				
	5 ~ 16 ±0.2	DRAWN BY						
	17 ~ 63 ±0.3	DATE DRAWN						
	64 ~ 250 ±0.5	SCALE 1/2		SAEKI ENGINEERING Co., LTD.				
	250~1000 ±0.8							

記号  
400S  
100S  
25S  
6.3S  
0.8S