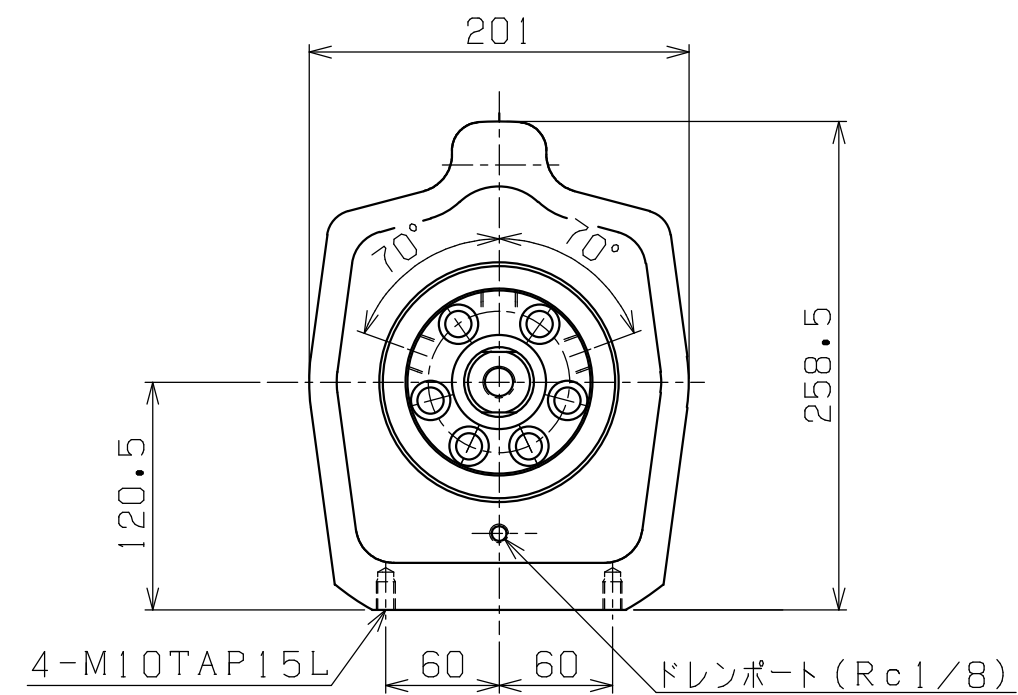
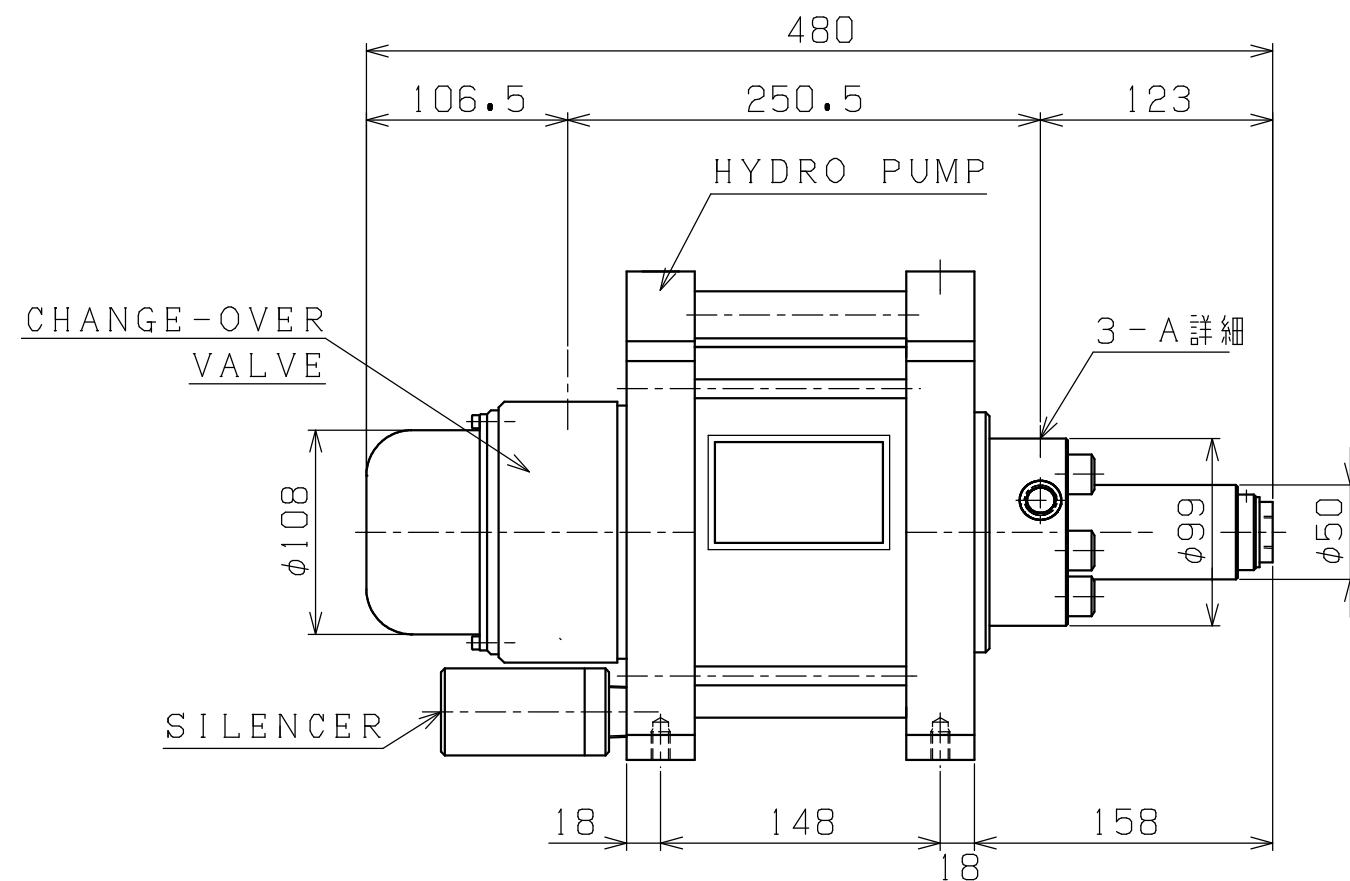


2次側高圧接続口  
(3箇所A部詳細)



SPECIFICATION	
MODEL	CHP230-1600
INTENSIFYING RATIO	1:230
AIR CONSUMPTION	5 (m <sup>3</sup> /min)
MAX. PRESSURE	160MPa
WEIGHT (ABOUT)	25kg

PLAN RECORD		基本仕上	MARK	PARTICULAR	QUAN	MATERIAL	SIZE	WEIGHT	REMARK
寸法許容差		C H I E F			CHP230-1600				
区分許容差		H E A D			HYDRO PUMP				
1~4	±0.1	CHECKED BY			DRAWING NO. A3-1518E				
5~16	±0.2	DRAWN BY							
17~63	±0.3	DATE DRAWN							
64~250	±0.5	SCALE 1/2			SAEKI ENGINEERING Co., LTD.				
250~1000	±0.8								

記号  
400S  
100S  
25S  
6.3S  
0.8S