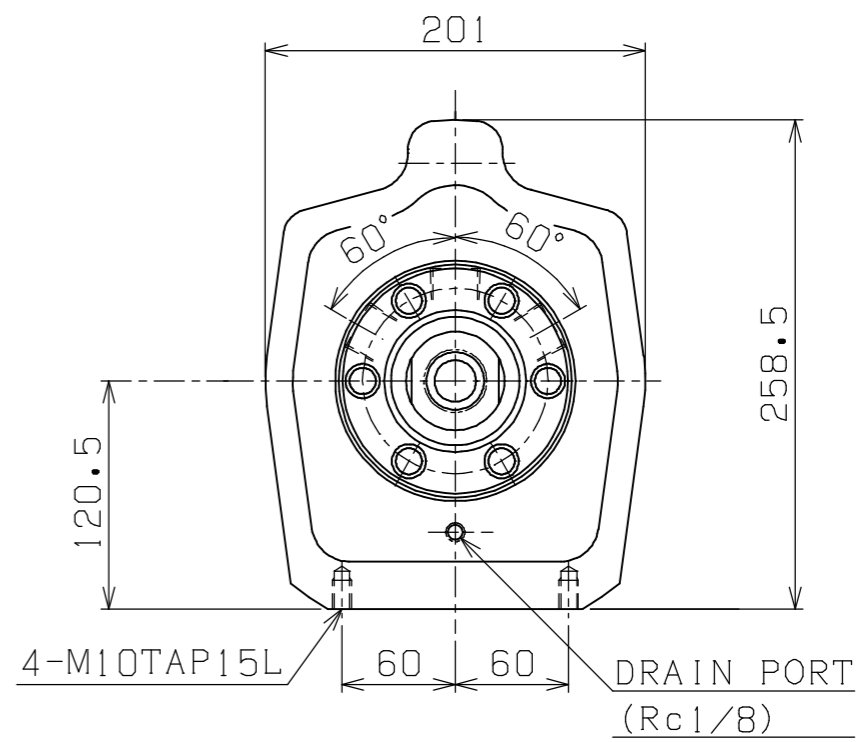
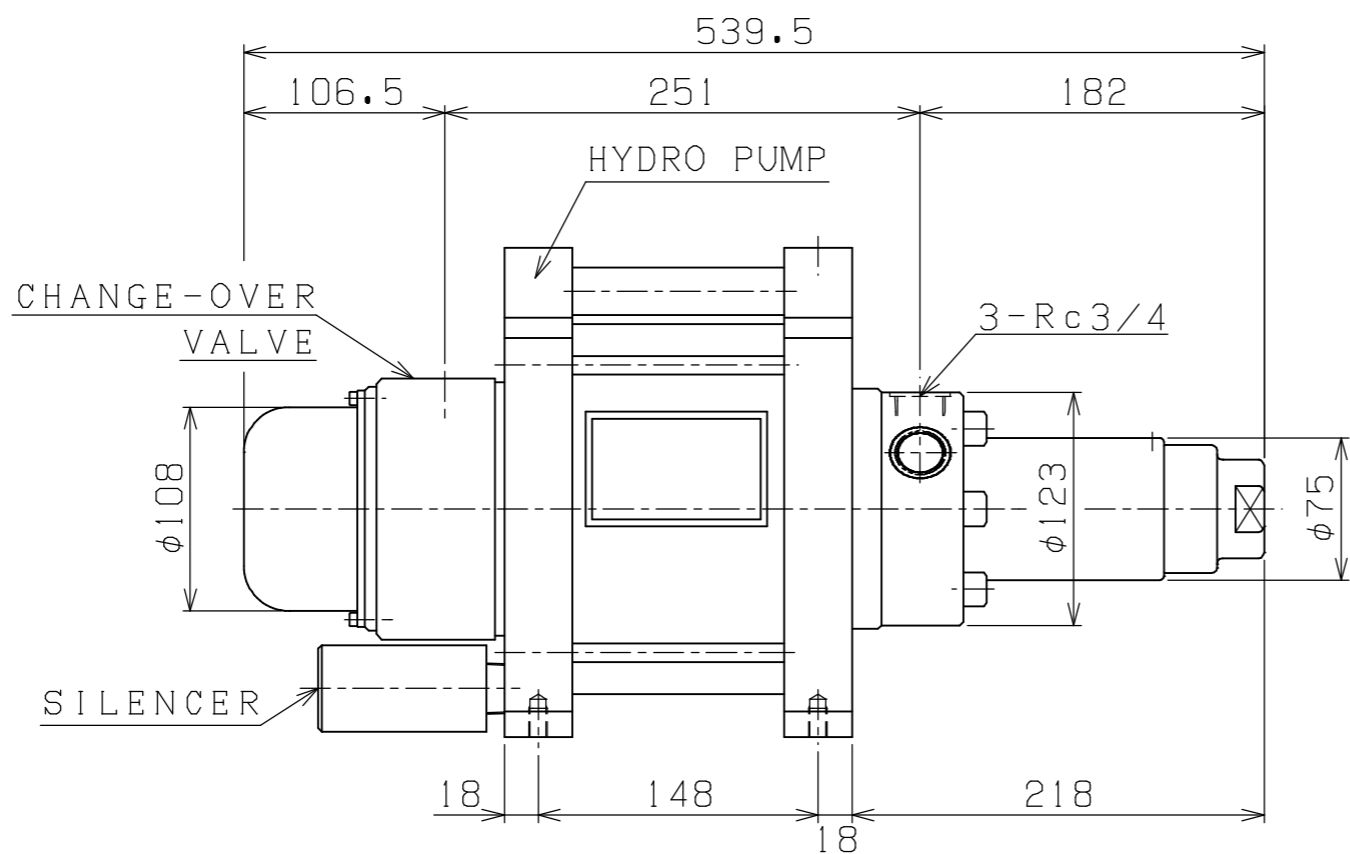
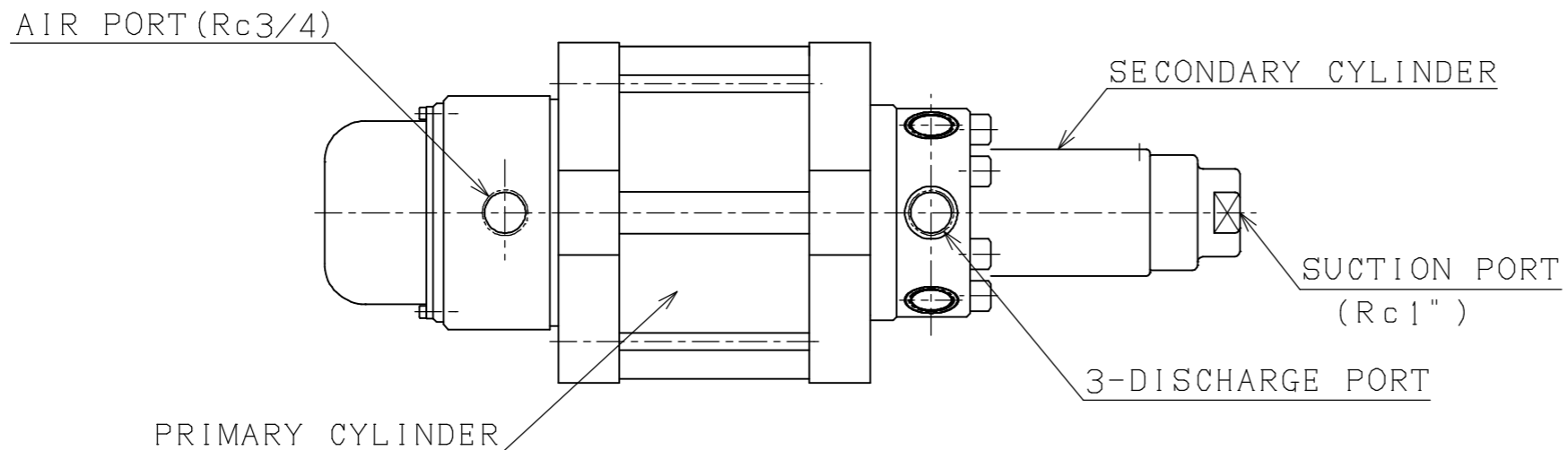


A 3 - 1 9 6 2 A



G2-2・CHP本体・外・CHP20 (新) 標準

SPECIFICATION	
MODEL	CHP20-160
INTENSIFYING RATIO	1:20
AIR CONSUMPTION	5 (m ³ /min) NO-LOAD MAX.
MAX. PRESSURE	12 MPa
WEIGHT (ABOUT)	26 kg G

PLAN RECORD	基本仕上	MARK	PARTICULAR	QUAN	MATERIAL	SIZE	WEIGHT	REMARK
	寸法許容差	C H I E F			CHP20-160			
	区分	H E A D			ハイドロポンプ			
	1 ~ 4	±0.1	CHECKED BY	DRAWING NO. A 3 - 1 9 6 2 A				
	5 ~ 16	±0.2	DRAWN BY					
	17 ~ 63	±0.3	DATE DRAWN					
	64 ~ 250	±0.5	SCALE	SAEKI ENGINEERING Co., LTD.				
	250~1000	±0.8						

記号
400S
100S
25S
6.3S
0.8S