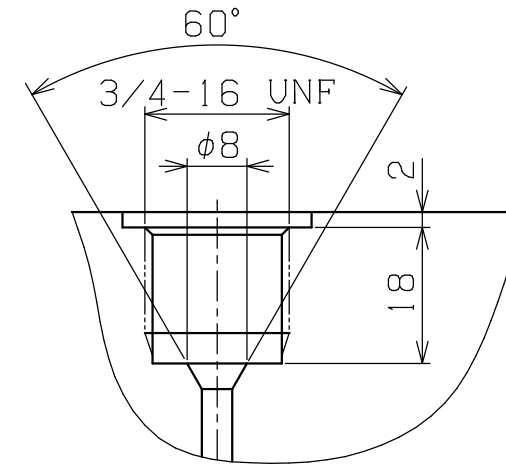
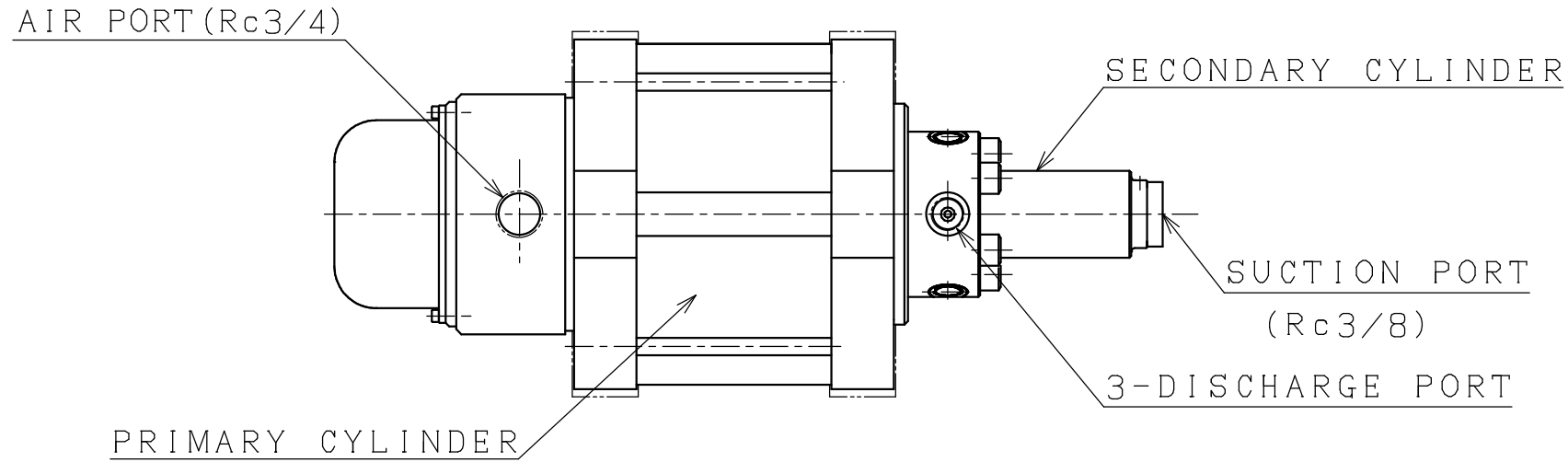
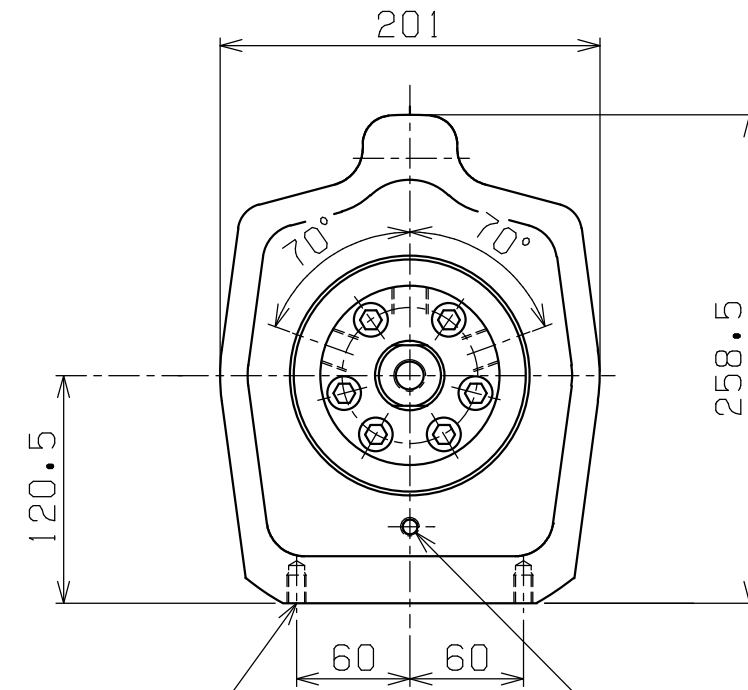
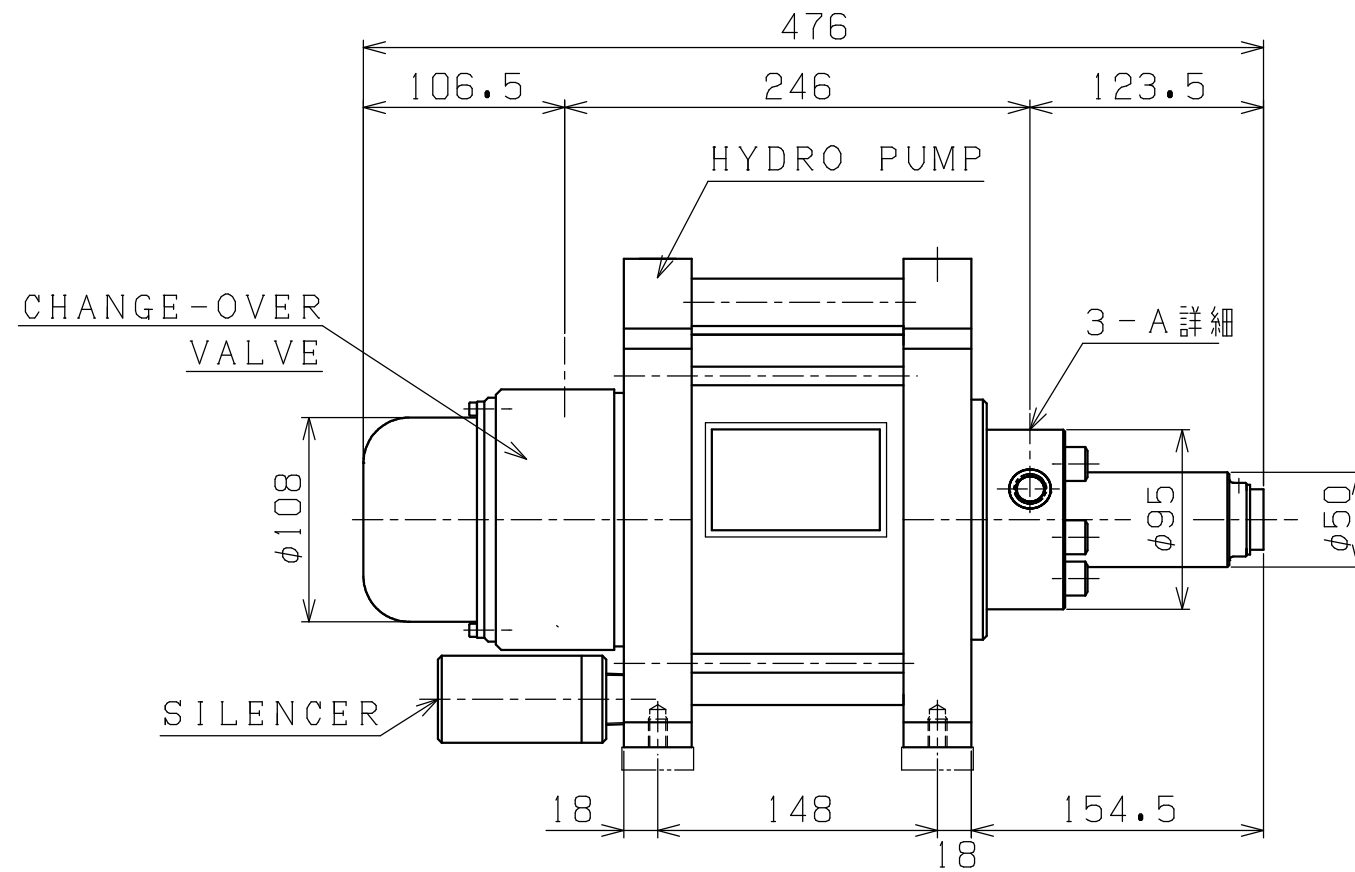


A3-1622A



2次側高圧接続口
(3ヶ所A部詳細)



4-M10TAP15L

ドレンポート (Rc1/8)

SPECIFICATION	
MODEL	CHP150-1200
INTENSIFYING RATIO	1:150
AIR CONSUMPTION	5 (m ³ /min)
MAX. PRESSURE	120 MPa
WEIGHT (ABOUT)	25 kg G

PLAN RECORD	基本仕上	MARK	PARTICULAR	QUAN	MATERIAL	SIZE	WEIGHT	REMARK
	寸法許容差	C H I E F		CHP150-1200				
	区分許容差	H E A D		HYDRO PUMP				
	1 ~ 4 ±0.1	CHECKED BY		DRAWING NO. A3-1622A				
	5 ~ 16 ±0.2	DRAWN BY						
	17 ~ 63 ±0.3	DATE DRAWN						
	64 ~ 250 ±0.5	SCALE 1/2		SAEKI ENGINEERING Co., LTD.				
	250~1000 ±0.8							

記号
400S
100S
25S
6.3S
0.8S